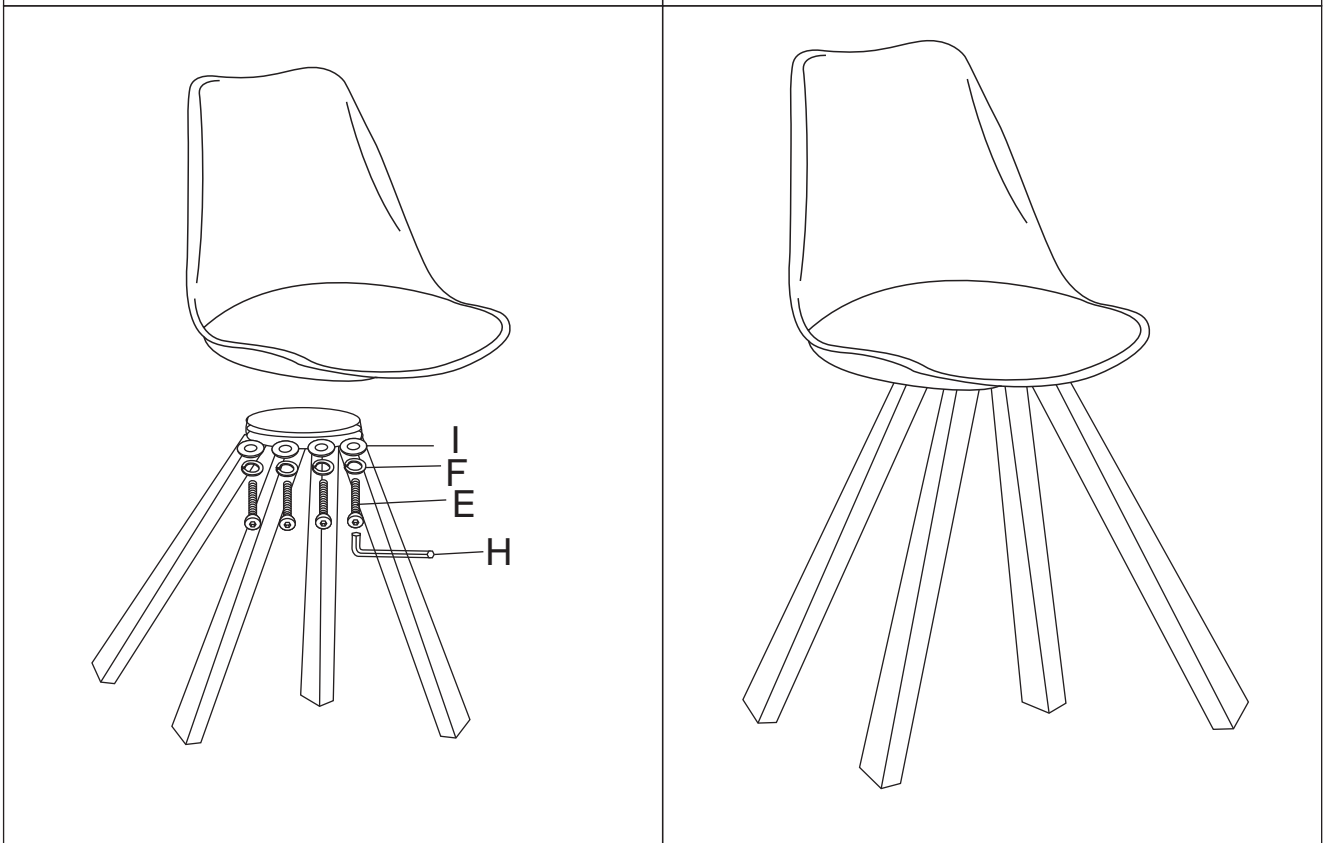
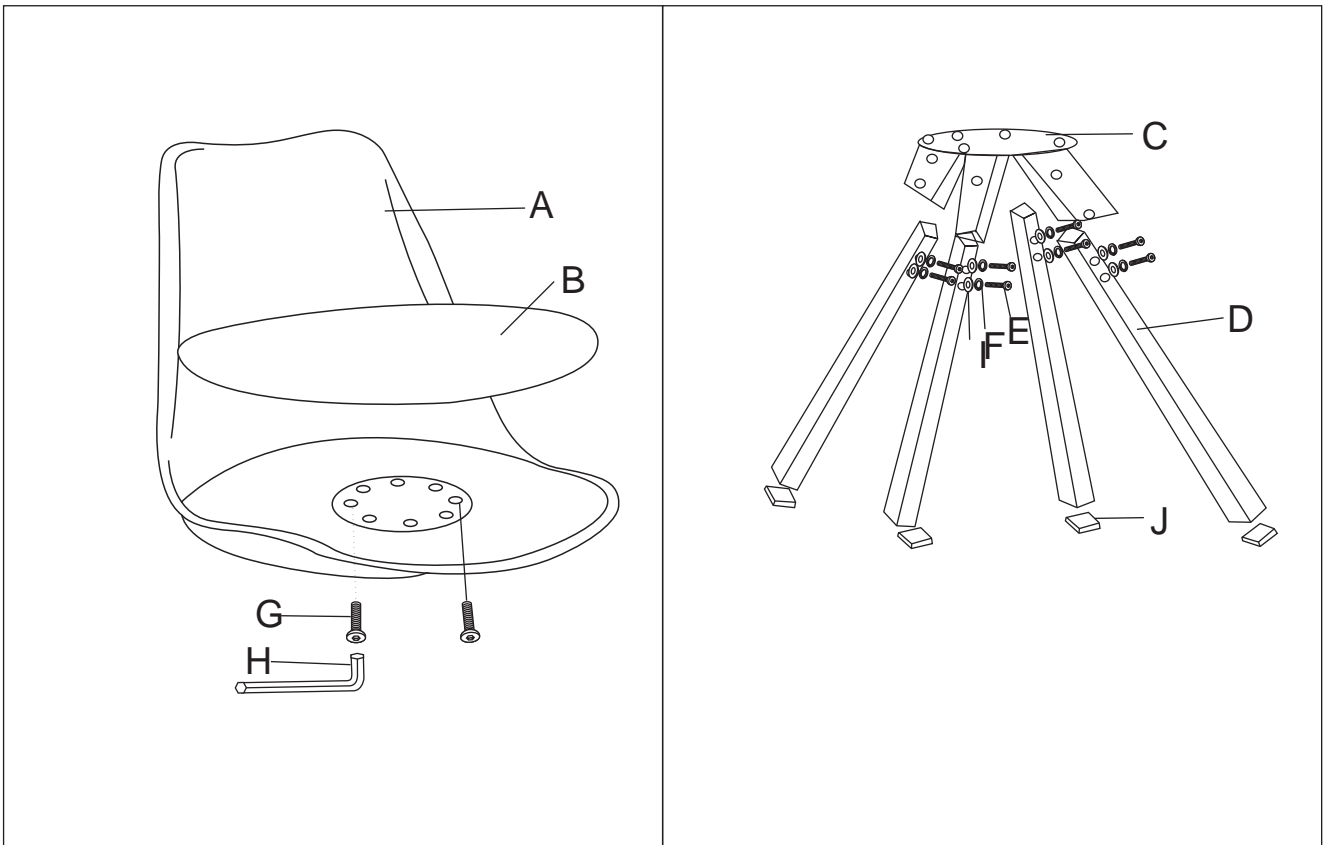


Assembly Instruction



A	B	C	D	E	F	G	H	I	J
1	1	1	4	12	12	2	1	12	4