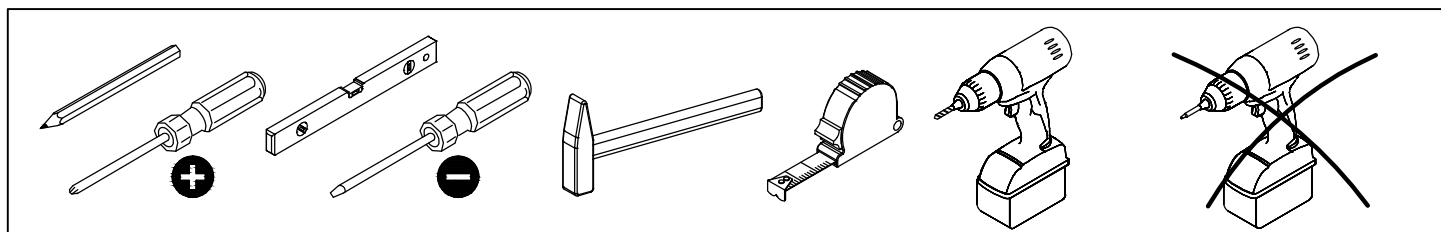
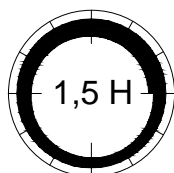
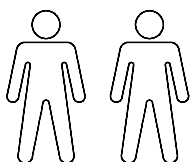
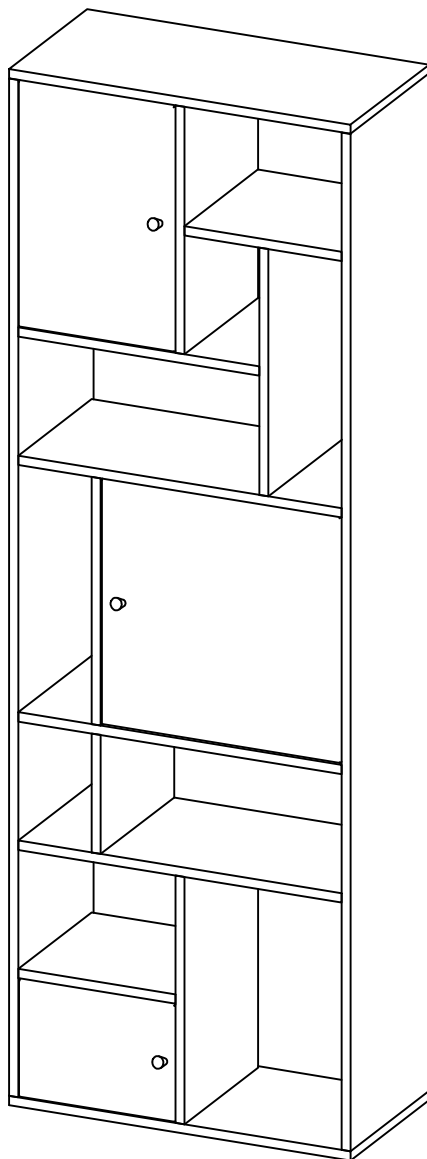
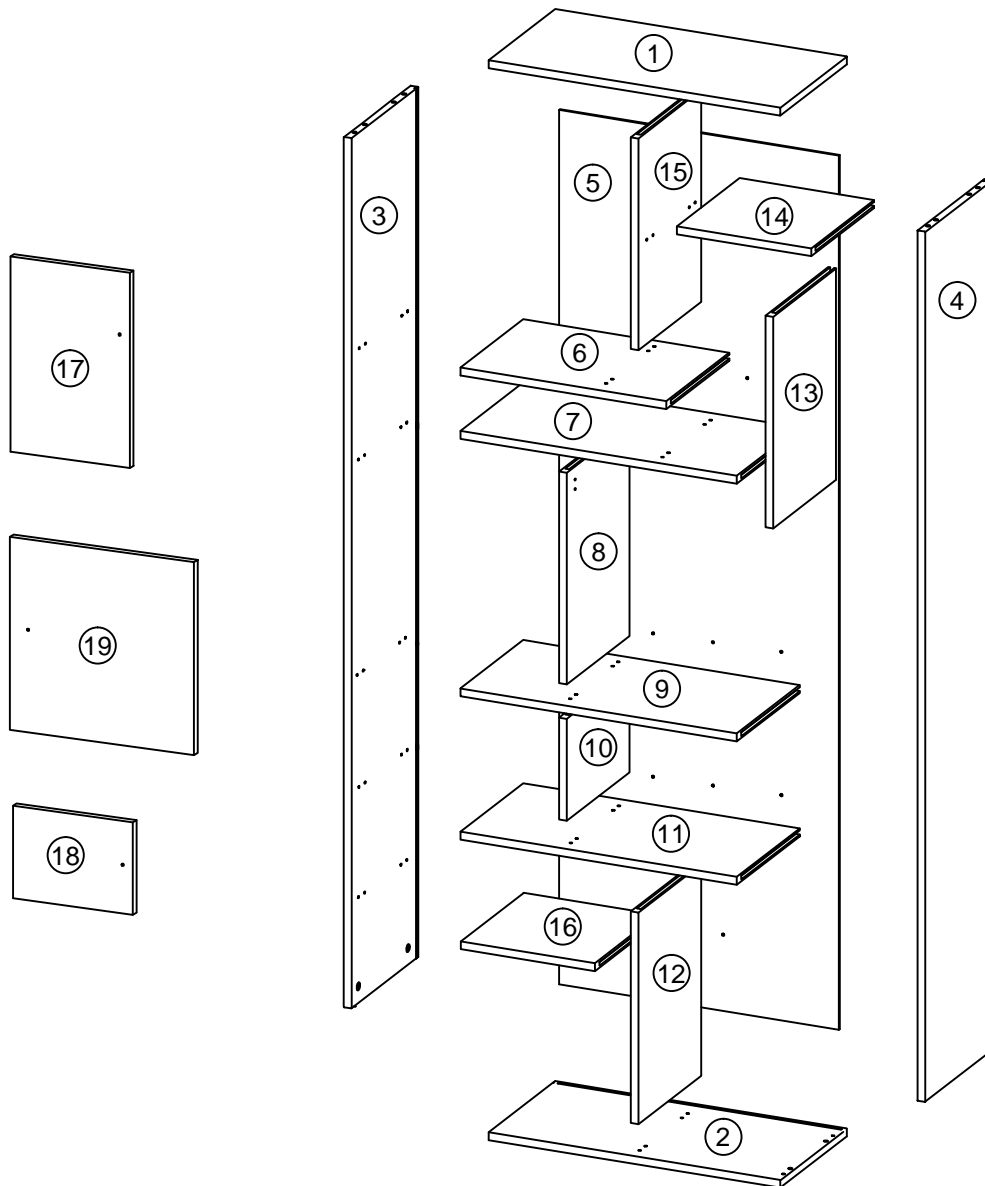


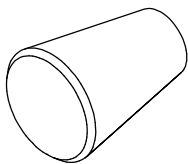
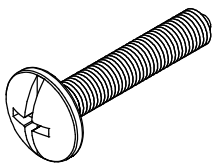
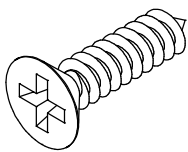
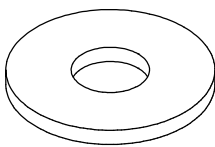
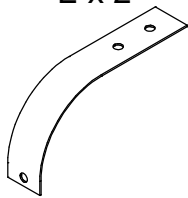
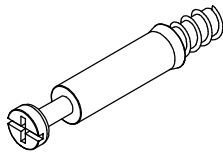
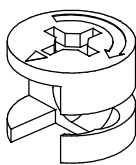
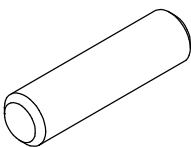
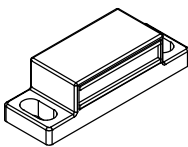
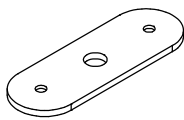
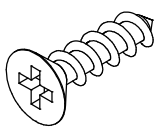
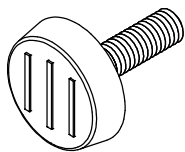
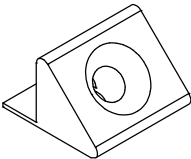
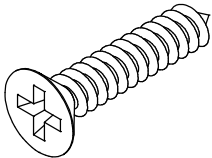
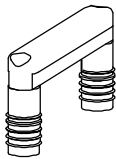
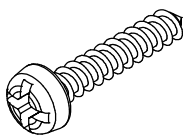
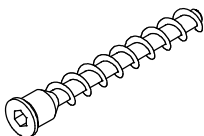
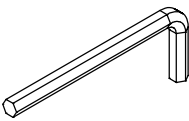
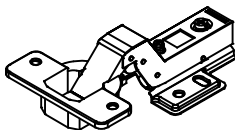
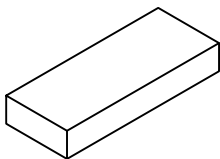
# RANGOON



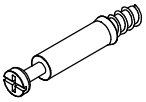
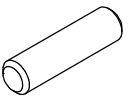
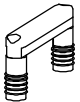
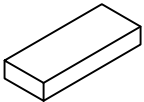
			✓
①	1	300x605x16	
②	1	300x605x26	
③	1	1758x299x16	
④	1	1758x299x16	
⑤	1	1770x583x4	
⑥	1	427x274x16	
⑦	1	571x274x16	
⑧	1	427x274x16	
⑨	1	571x274x16	
⑩	1	208x274x16	

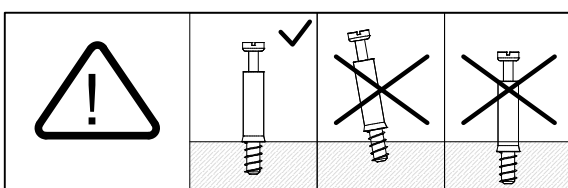
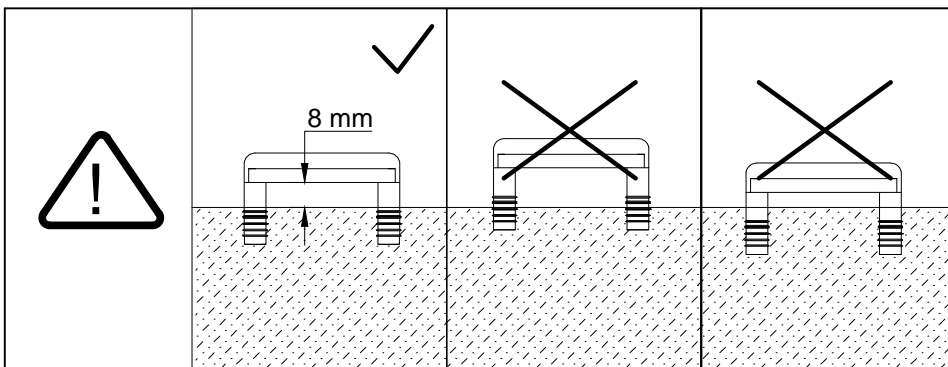
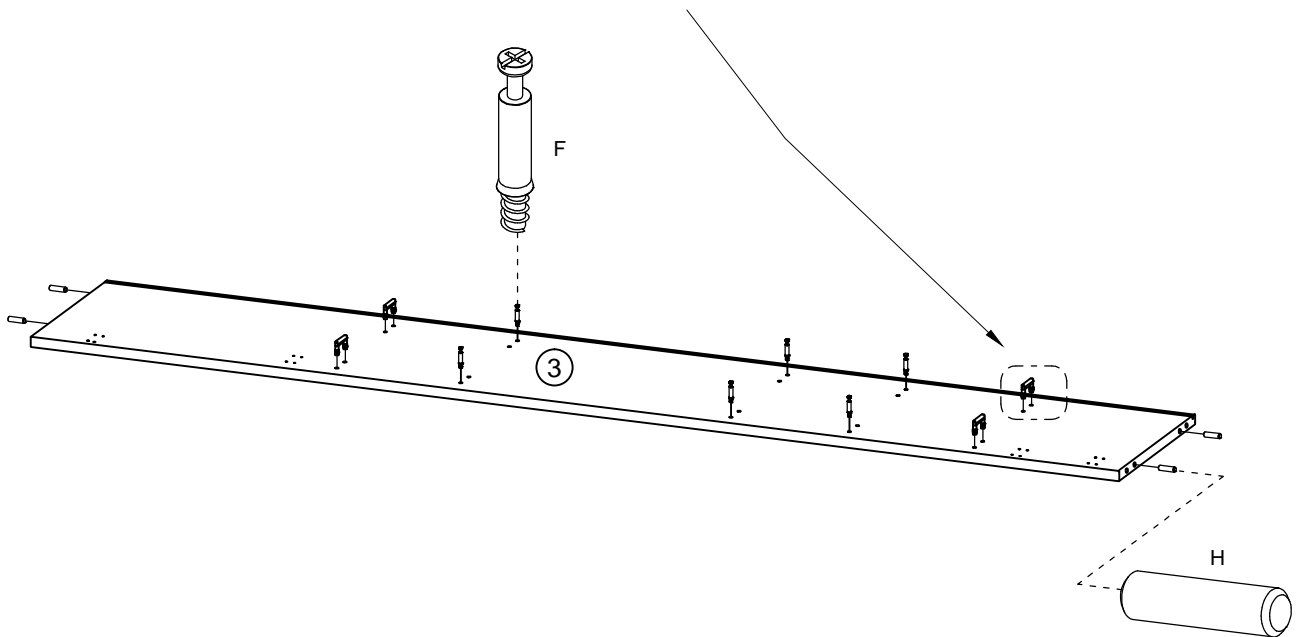
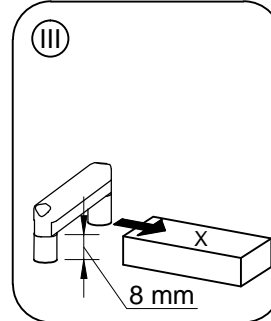
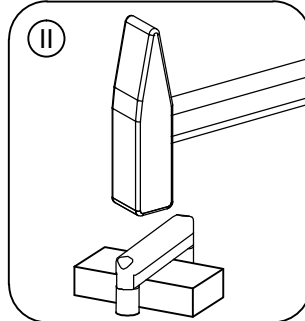
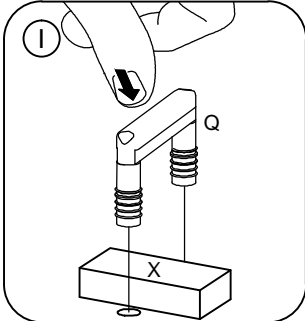
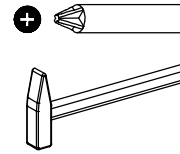
			✓
⑪	1	571x274x16	
⑫	1	427x274x16	
⑬	1	427x274x16	
⑭	1	277x274x16	
⑮	1	427x274x16	
⑯	1	277x274x16	
⑰	1	421x271x16	
⑱	1	200x271x16	
⑲	1	421x421x16	



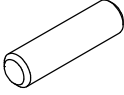
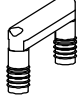
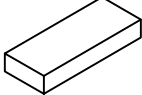
<p>A x 3</p>  <p>Ø11/Ø16x22</p>	<p>B x 3</p>  <p>M4x22 mm</p>	<p>C x 36</p>  <p>Ø4x15 mm</p>	<p>D x 18</p>  <p>Ø4/Ø12 mm</p>	<p>E x 2</p>  <p>150x26 mm</p>
<p>F x 12</p>  <p>Ø6/34 mm</p>	<p>G x 12</p>  <p>Ø15x11 mm</p>	<p>H x 20</p>  <p>Ø8x30 mm</p>	<p>J x 3</p>  <p>46x15 mm</p>	<p>K x 3</p>  <p>35x12 mm</p>
<p>L x 3</p>  <p>Ø3x12 mm</p>	<p>M x 4</p>  <p>M8/Ø25x7 mm</p>	<p>N x 14</p>  <p>15x15x10 mm</p>	<p>P x 14</p>  <p>Ø4x20mm</p>	<p>Q x 30</p>  <p>40x29/Ø8 mm</p>
<p>R x 22</p>  <p>Ø3x15 mm</p>	<p>S x 10</p>  <p>Ø7/Ø10x60 mm</p>	<p>T x 1</p>  <p>4 mm</p>	<p>V x 6</p>  <p>Ø26/FK17</p>	<p>X x 1</p>  <p>50x20x8 mm</p>

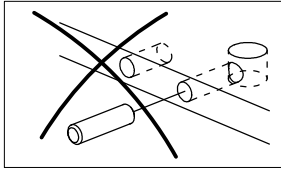
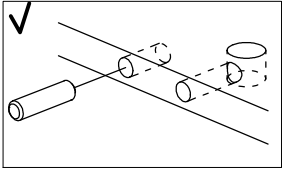
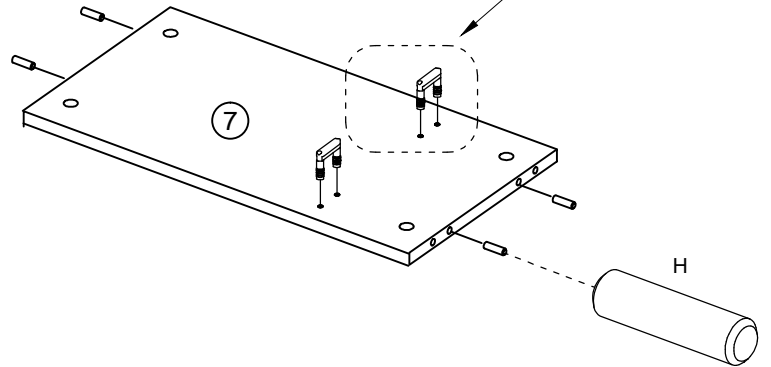
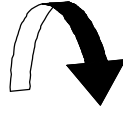
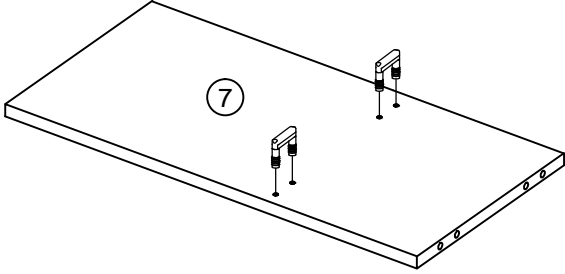
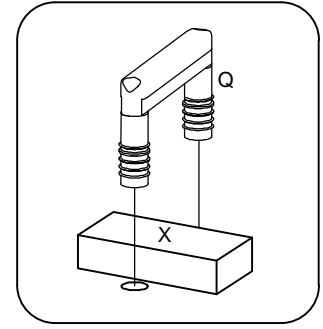
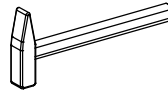
# 1

F x 6  Ø6/34 mm	H x 4  Ø8x30 mm	Q x 4  40x29/Ø8 mm	X x 1  50x20x8 mm
--	--	---	--

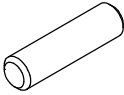
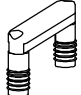
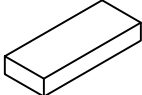


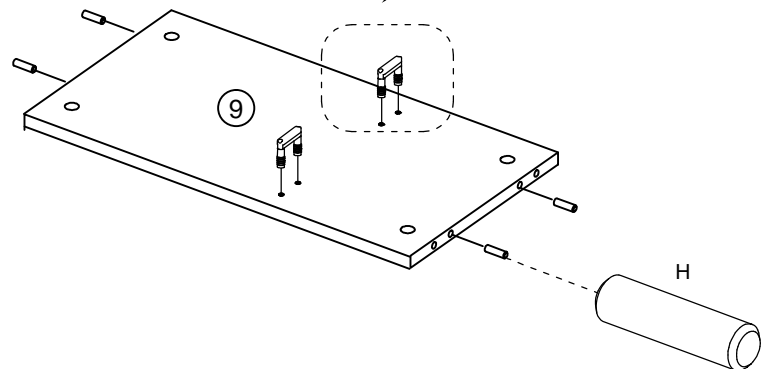
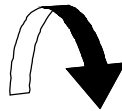
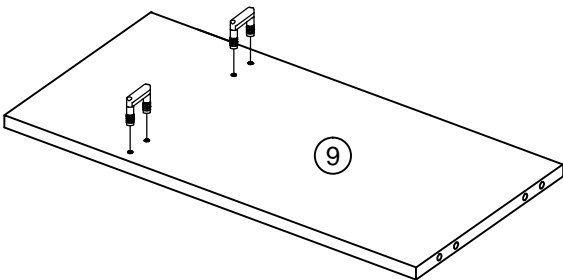
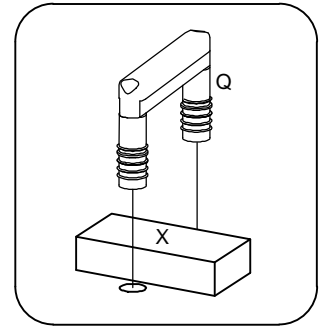
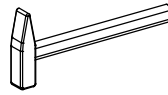
# 2

H x 4  Ø8x30 mm	Q x 4  40x29/Ø8 mm	X x 1  50x20x8 mm
--	---	--

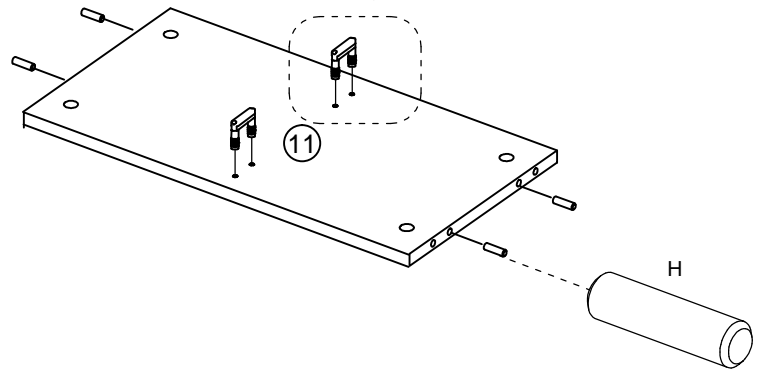
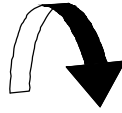
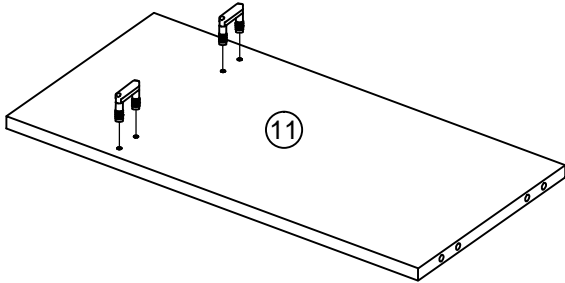
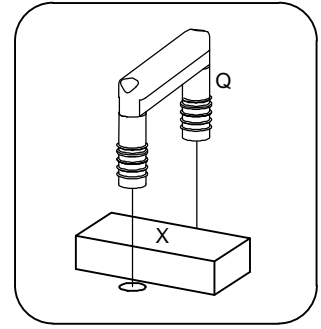
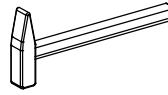
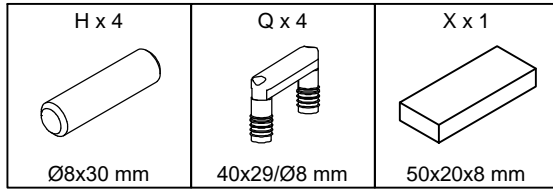


# 3

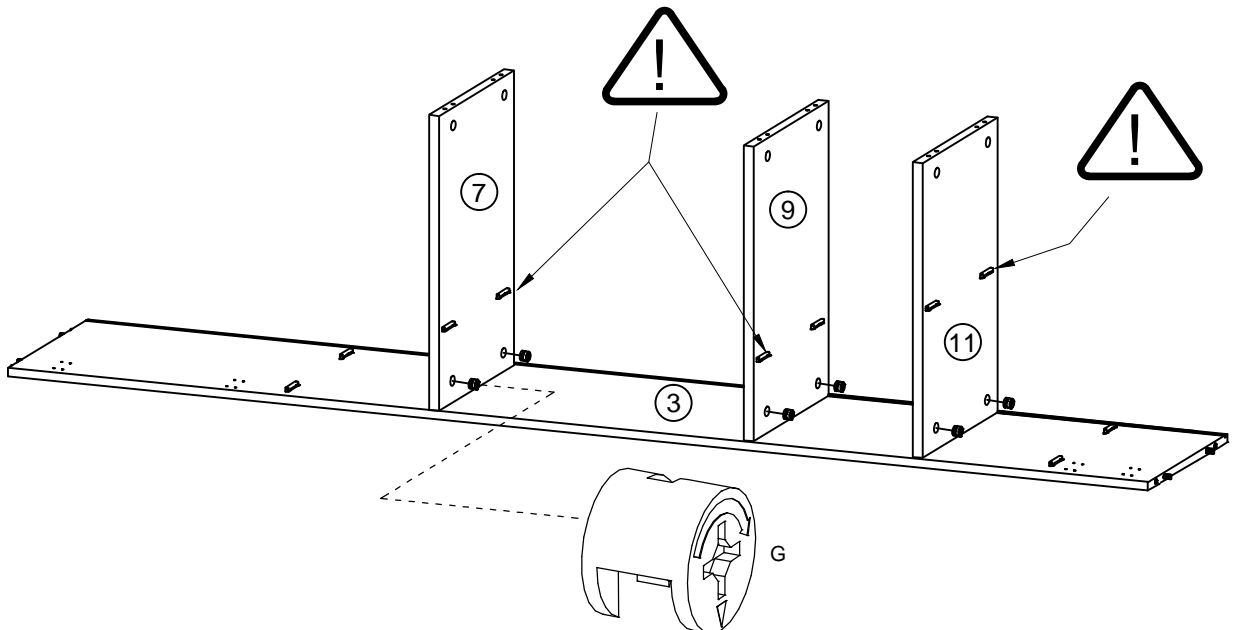
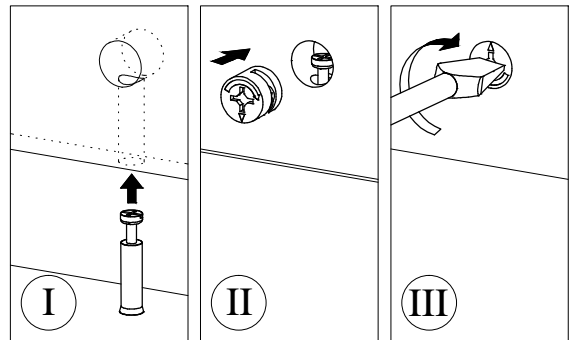
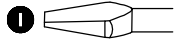
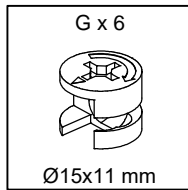
H x 4  Ø8x30 mm	Q x 4  40x29/Ø8 mm	X x 1  50x20x8 mm
--	---	--



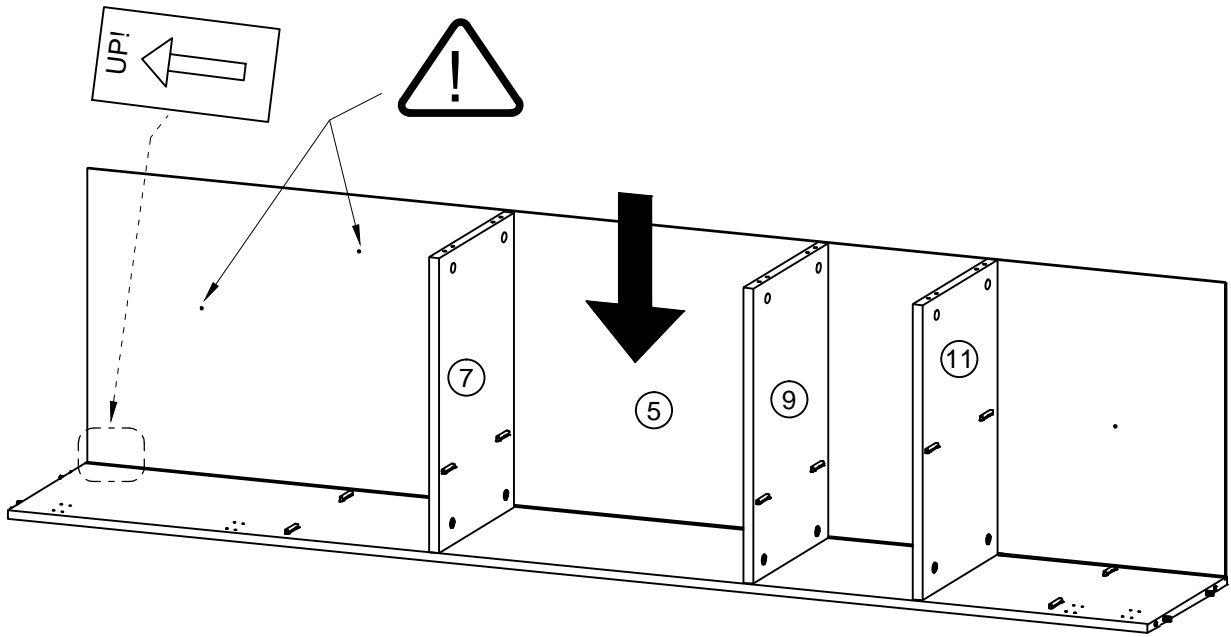
# 4



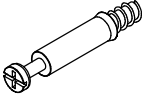
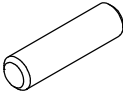
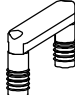
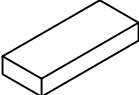
# 5

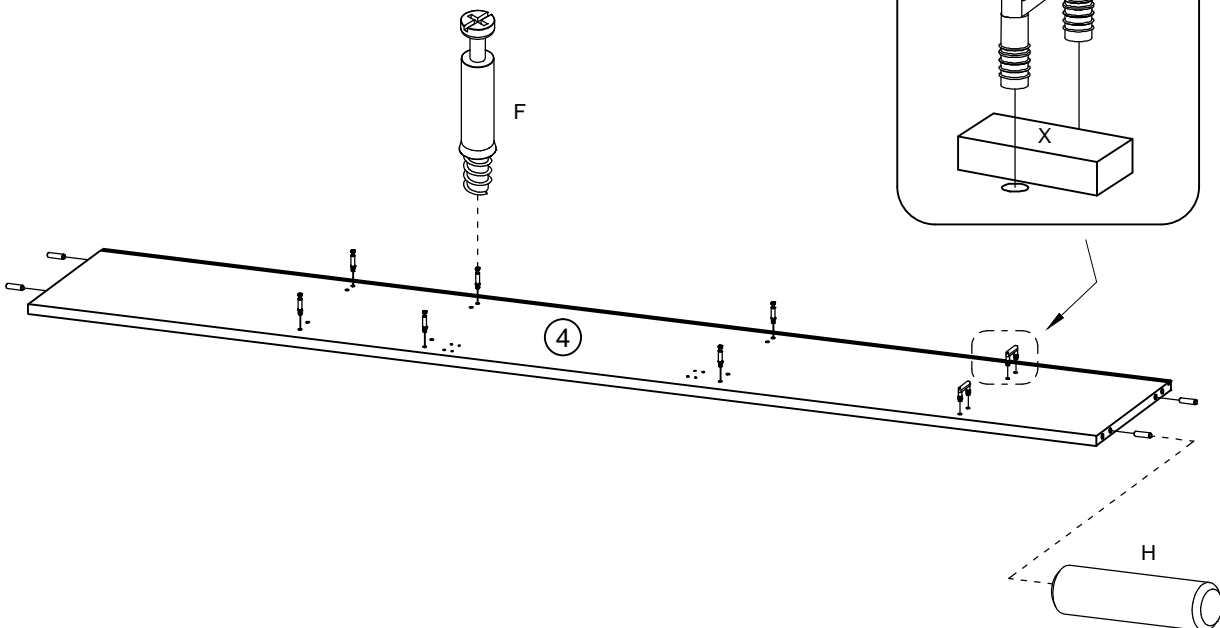
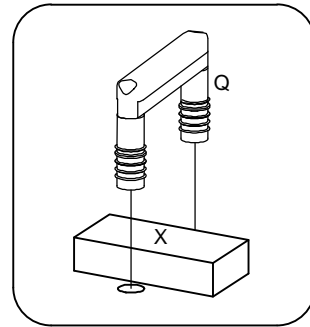
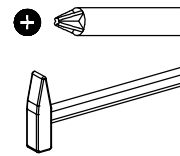


# 6

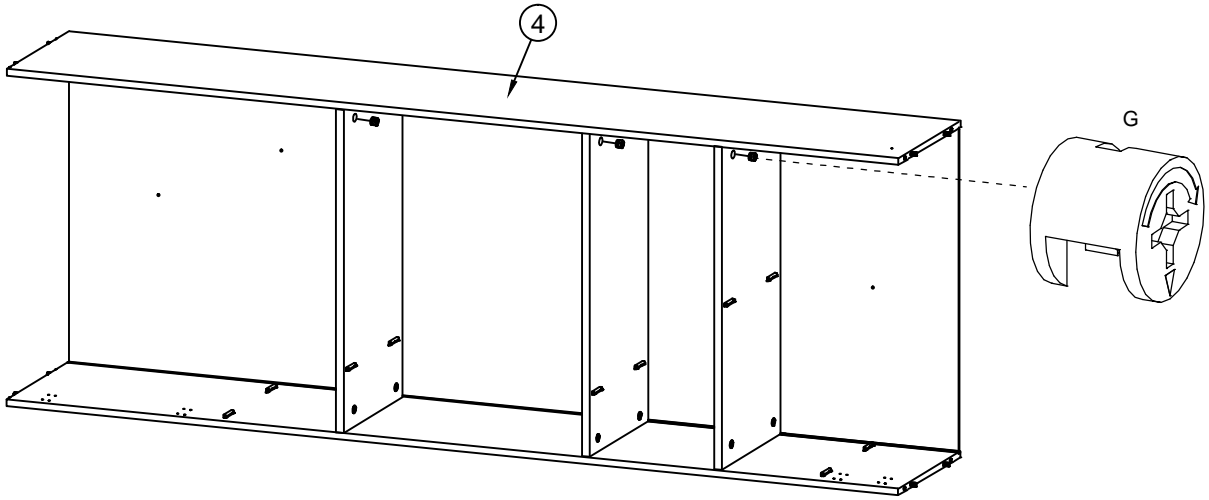
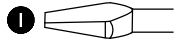
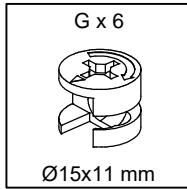


# 7

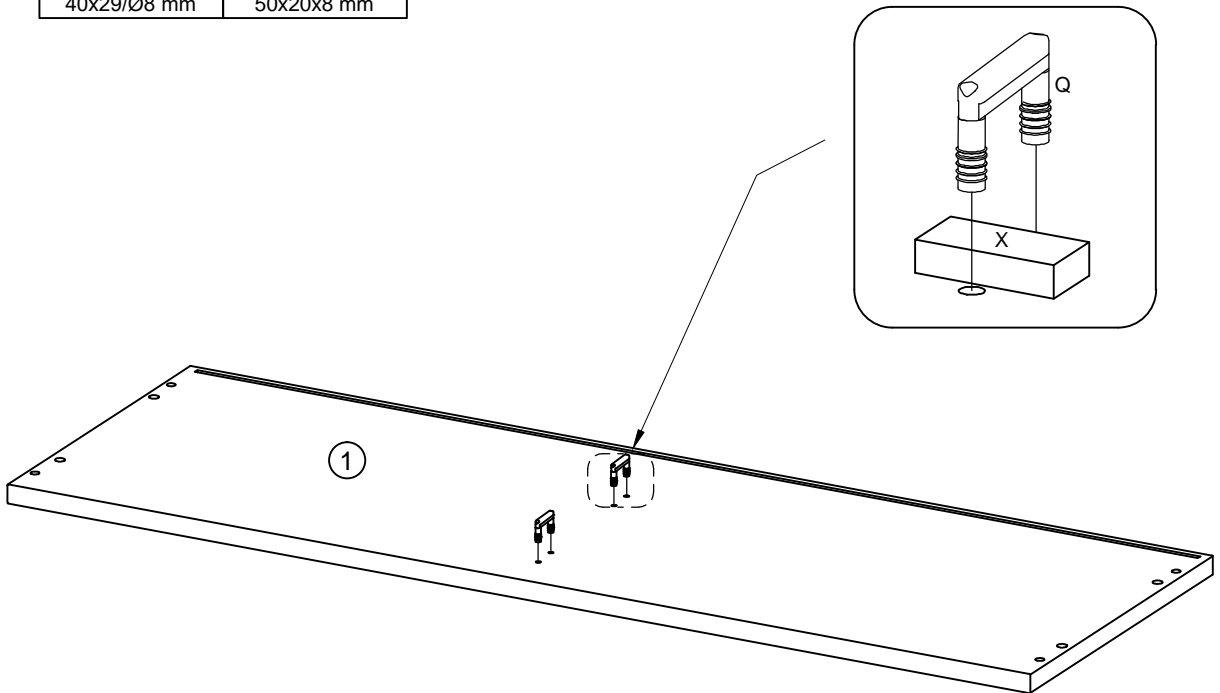
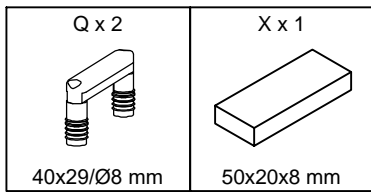
F x 6	H x 4	Q x 2	X x 1
			
Ø6/34 mm	Ø8x30 mm	40x29/Ø8 mm	50x20x8 mm



# 8

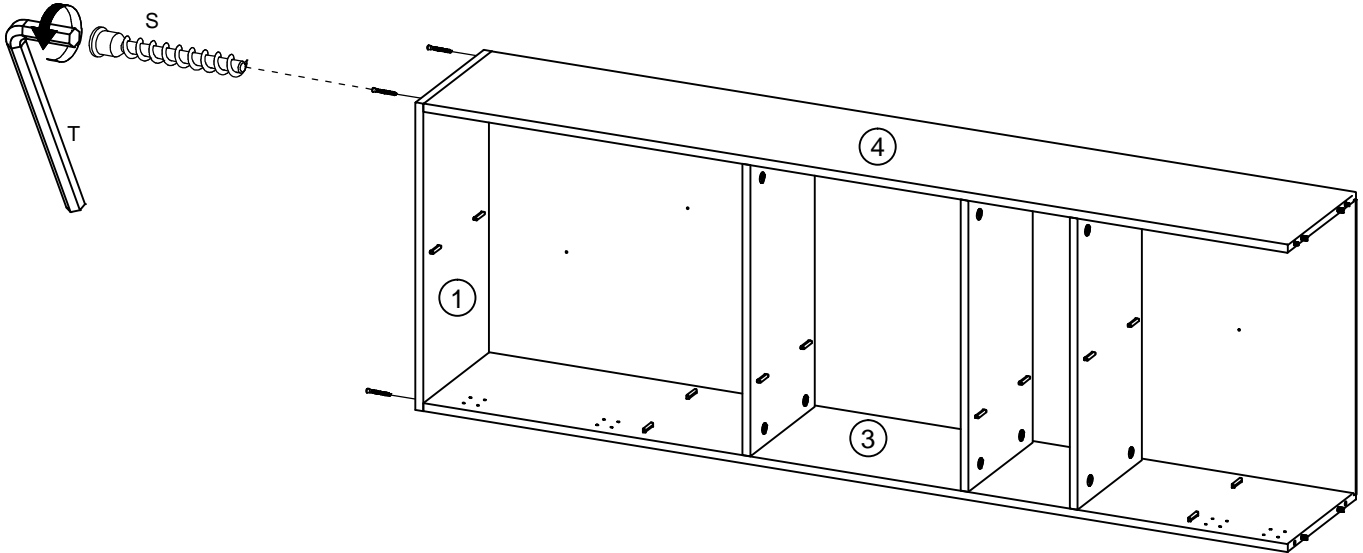
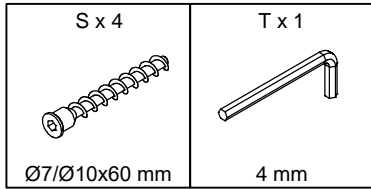


# 9

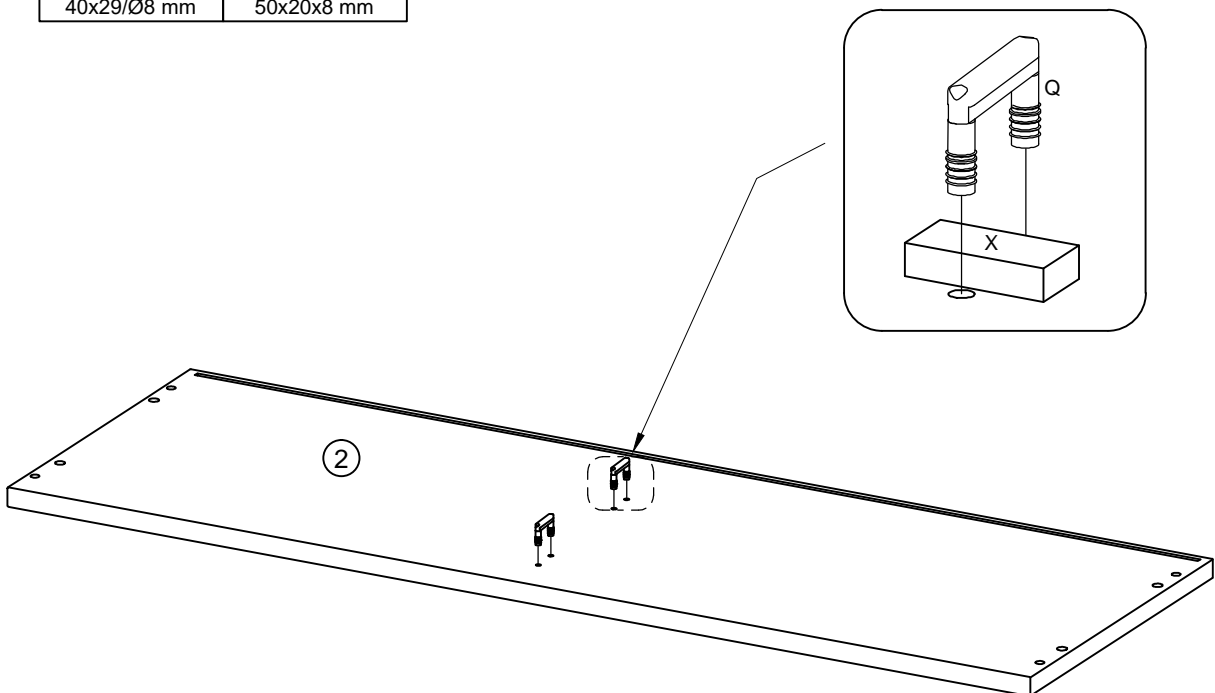
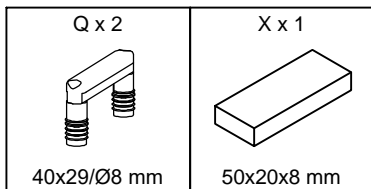




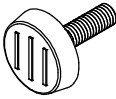
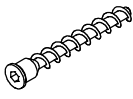
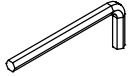
# 10

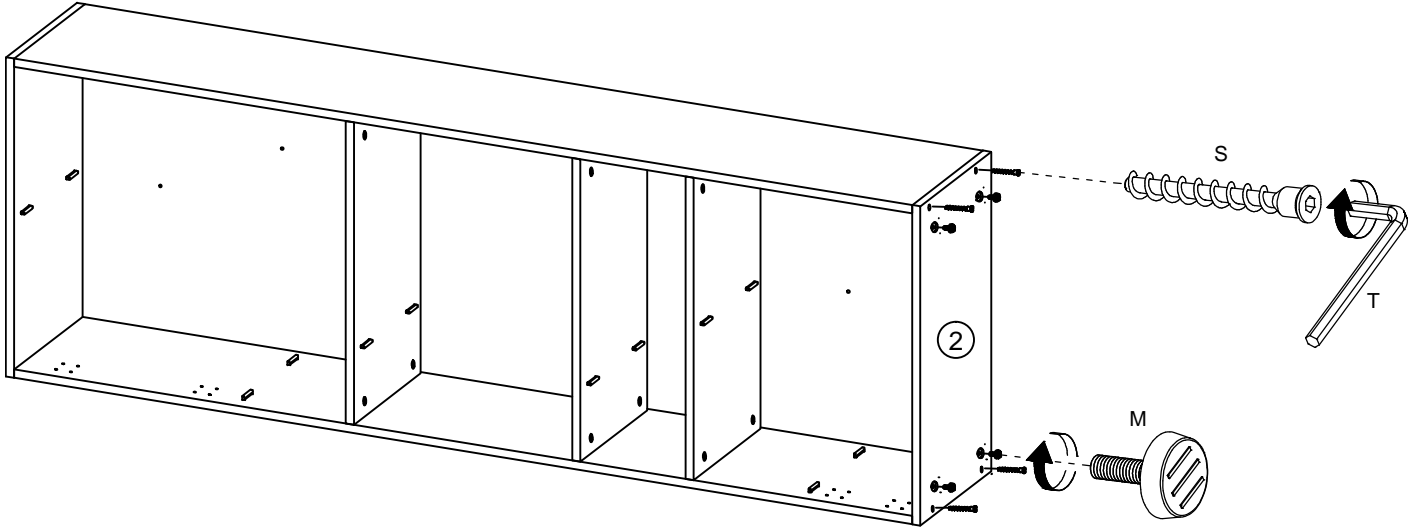


# 11

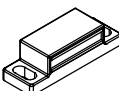
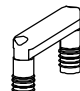
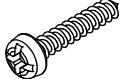
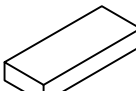


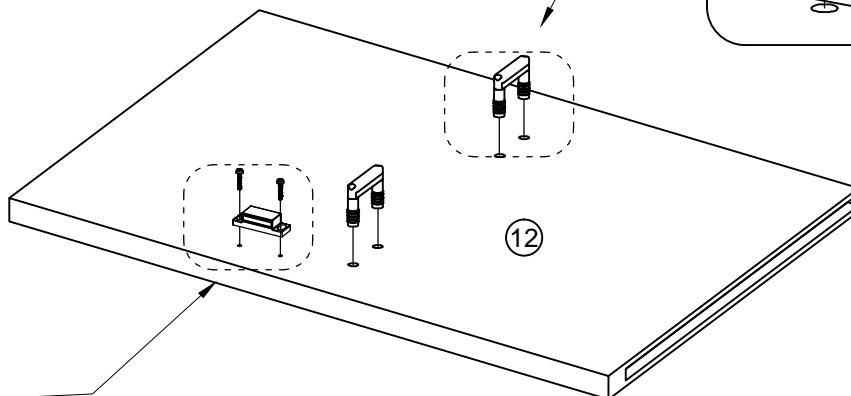
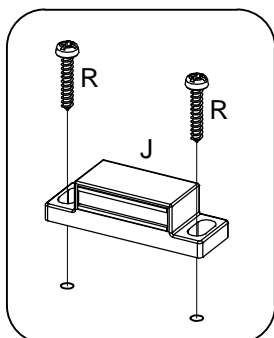
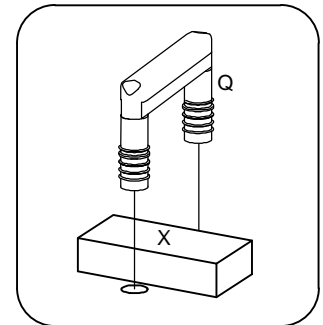
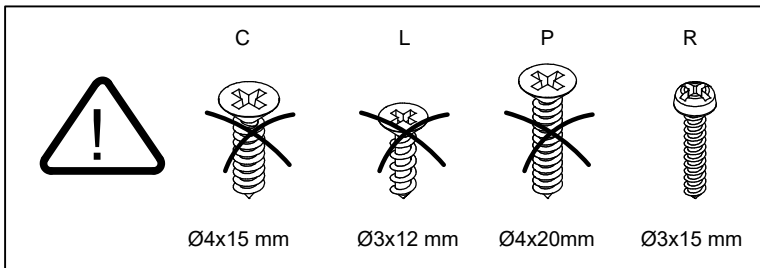
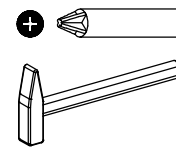
# 12

M x 4  M8/Ø25x7 mm	S x 4  Ø7/Ø10x60 mm	T x 1  4 mm
---	--	--

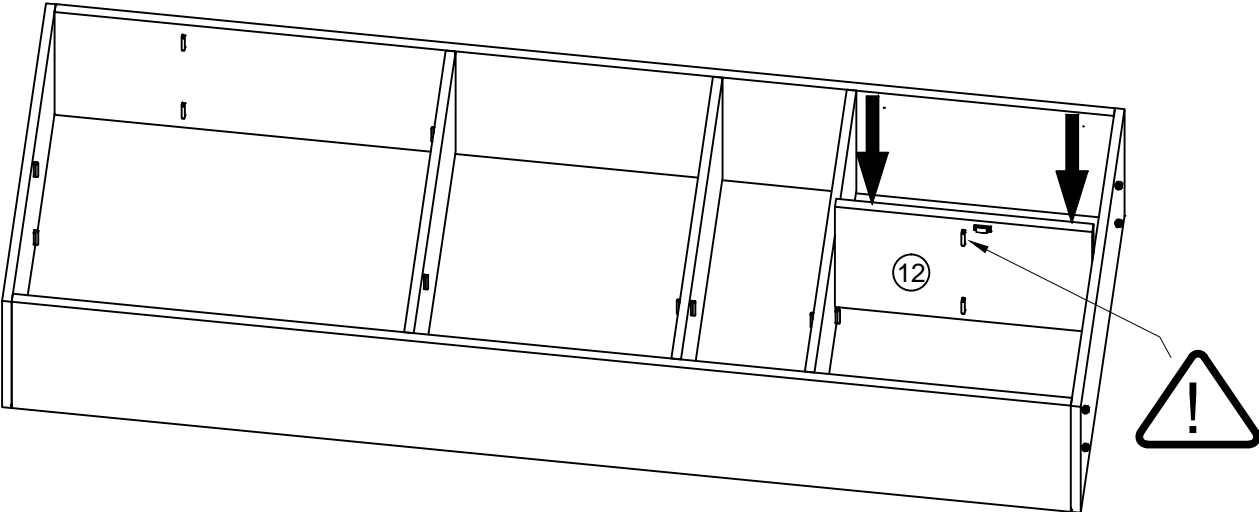


# 13

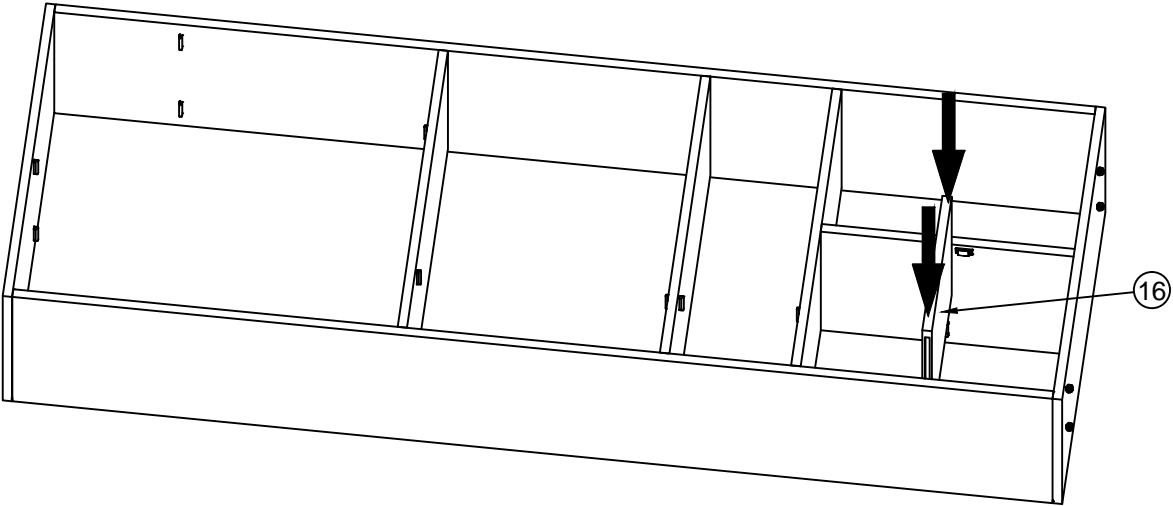
J x 1  46x15 mm	Q x 2  40x29/Ø8 mm	R x 2  Ø3x15 mm	X x 1  50x20x8 mm
--	---	--	--



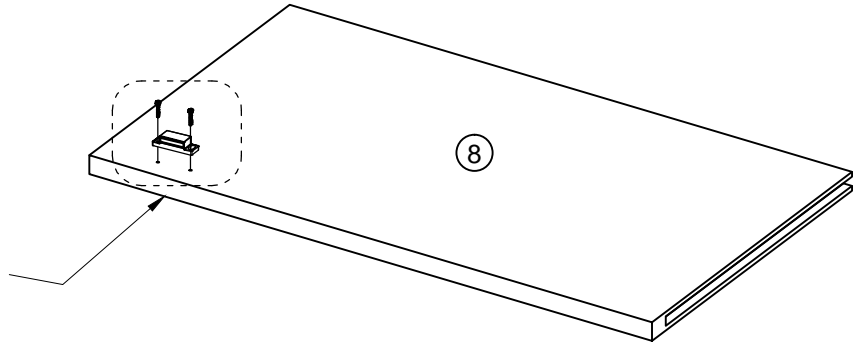
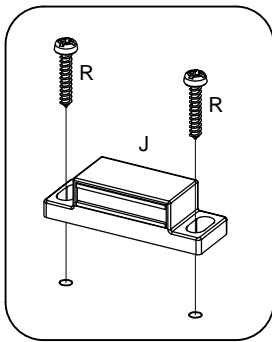
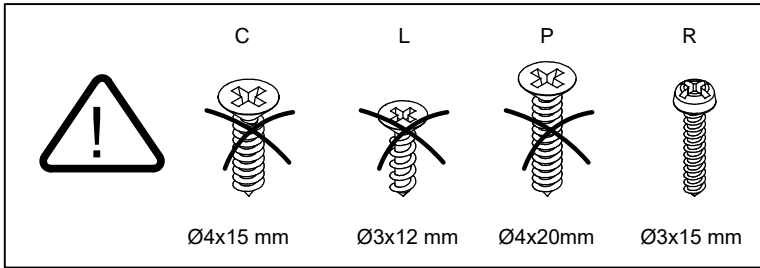
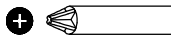
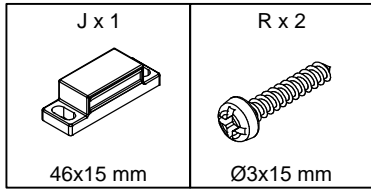
14



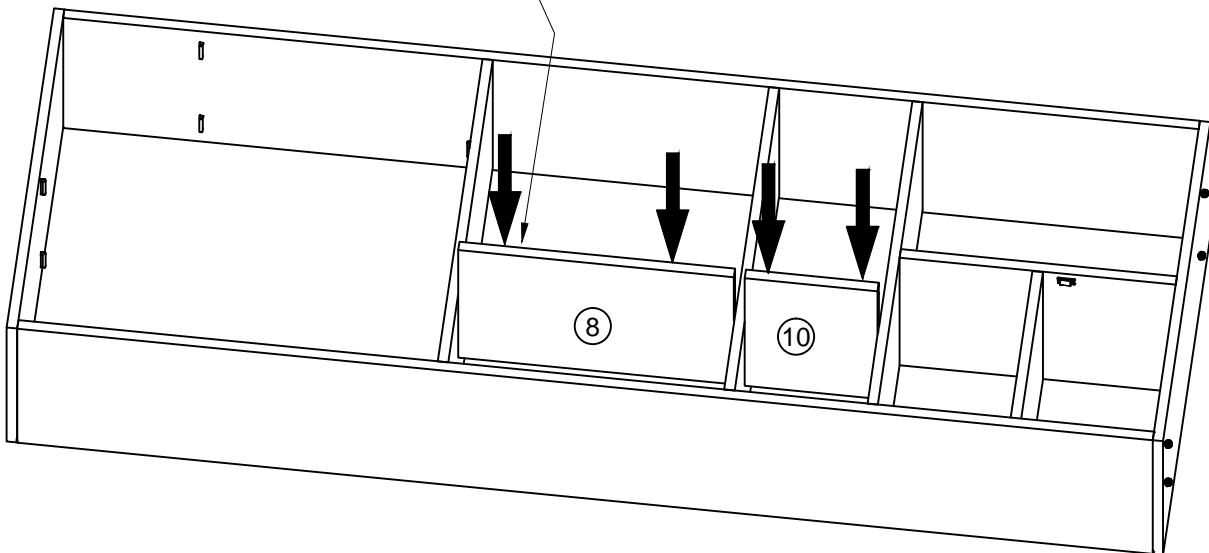
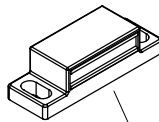
15



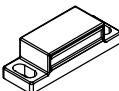
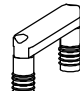

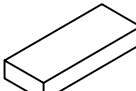
# 16

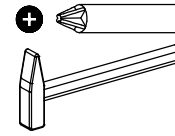







# 17

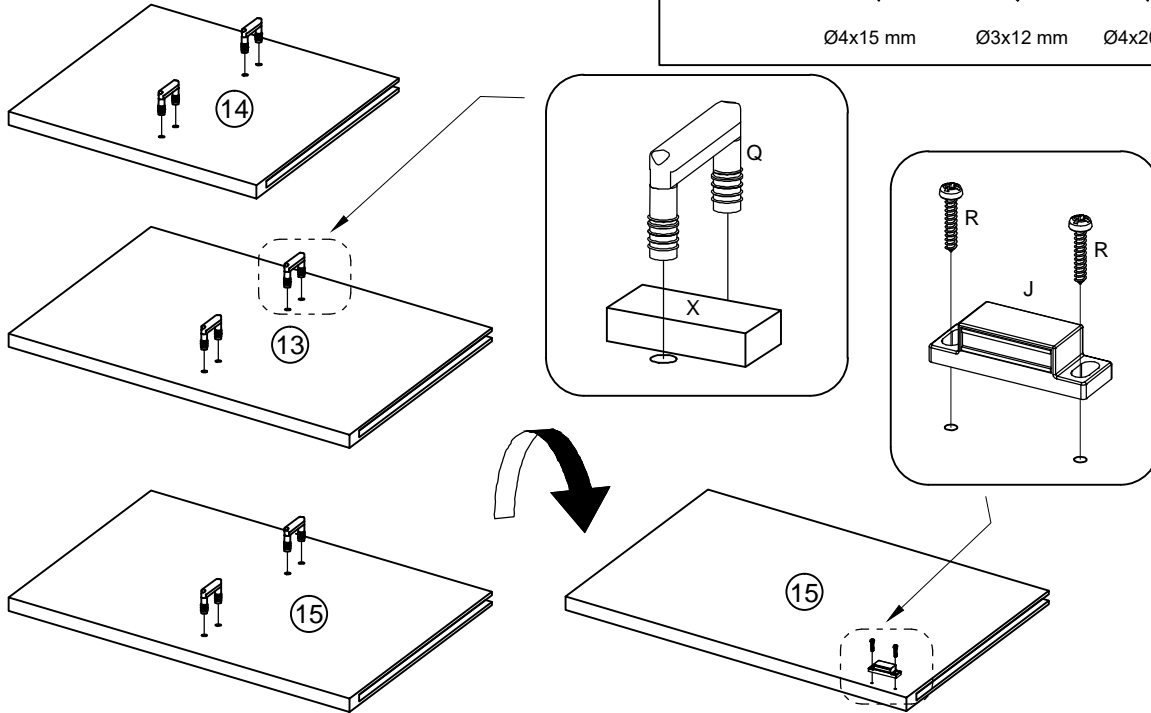


# 18

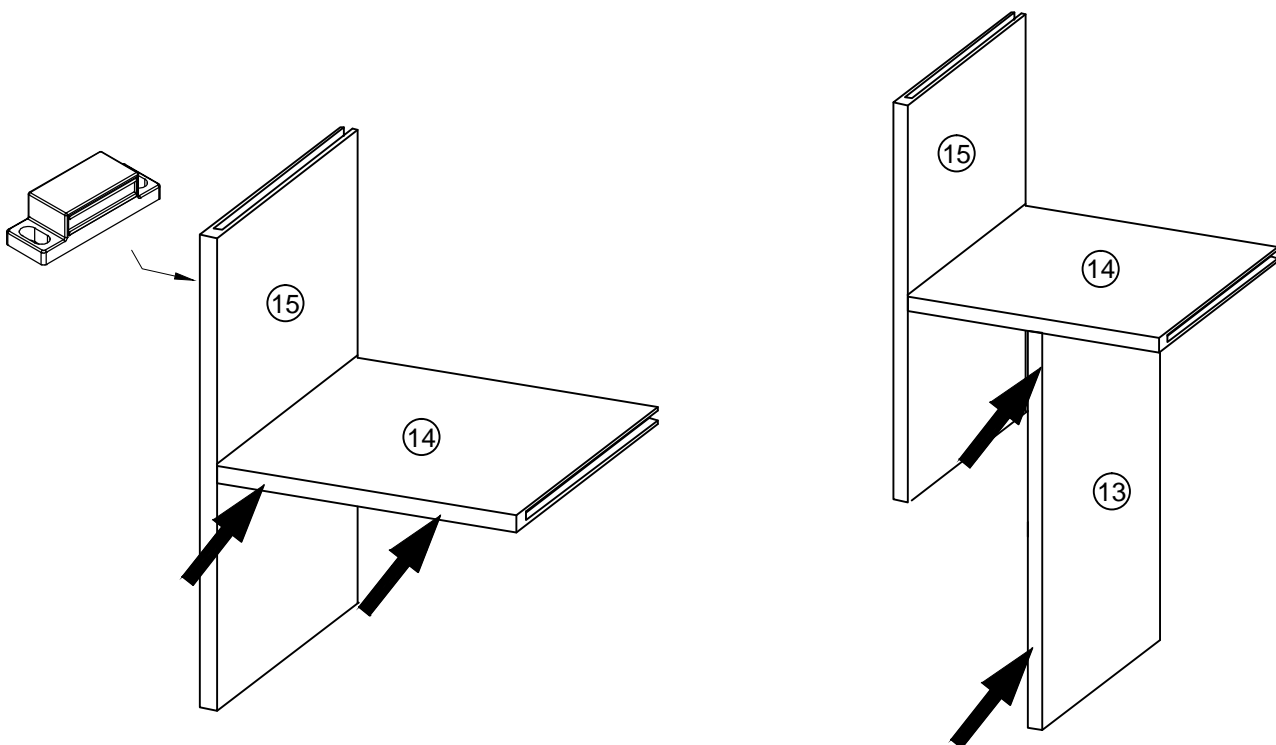
J x 1  46x15 mm	Q x 6  40x29/Ø8 mm	R x 2  Ø3x15 mm	X x 1  50x20x8 mm
--	---	--	--



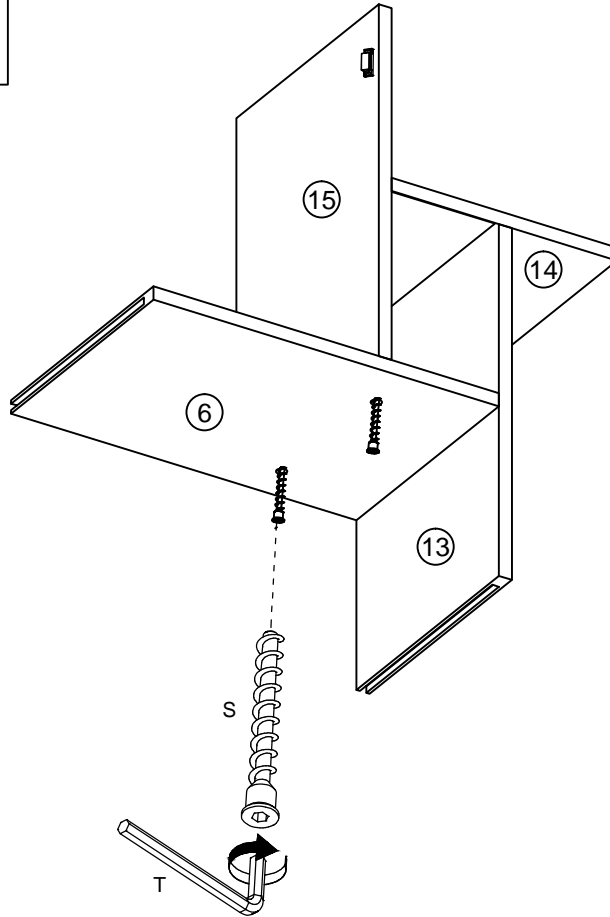
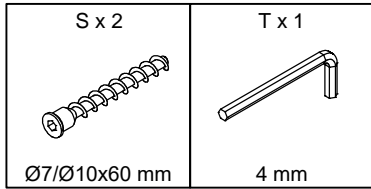
	C  Ø4x15 mm	L  Ø3x12 mm	P  Ø4x20 mm	R  Ø3x15 mm
---	--	--	--	--



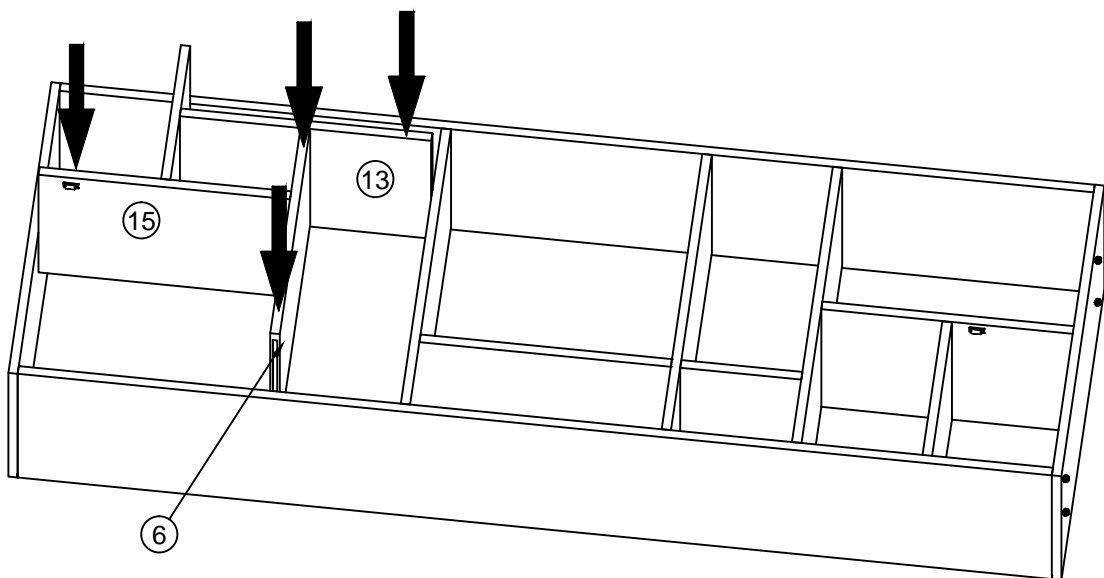
# 19



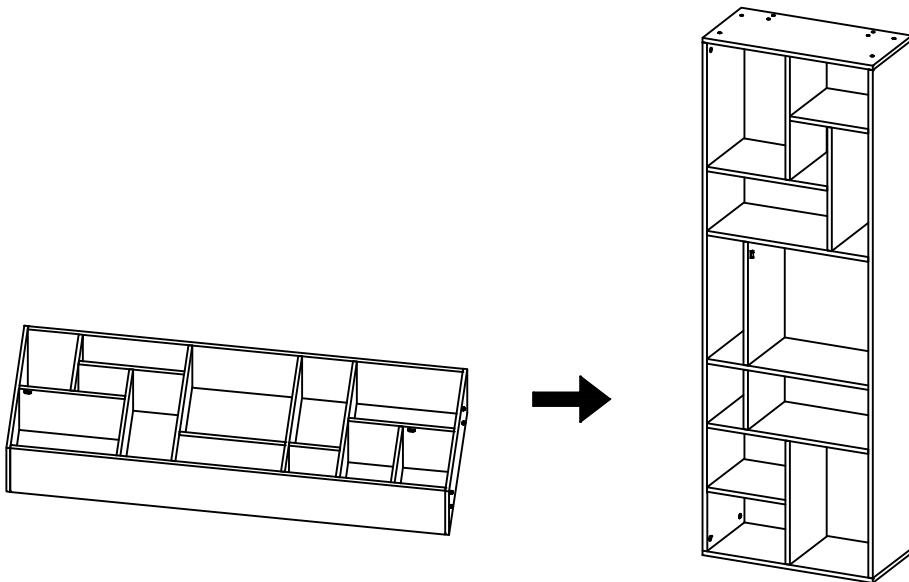
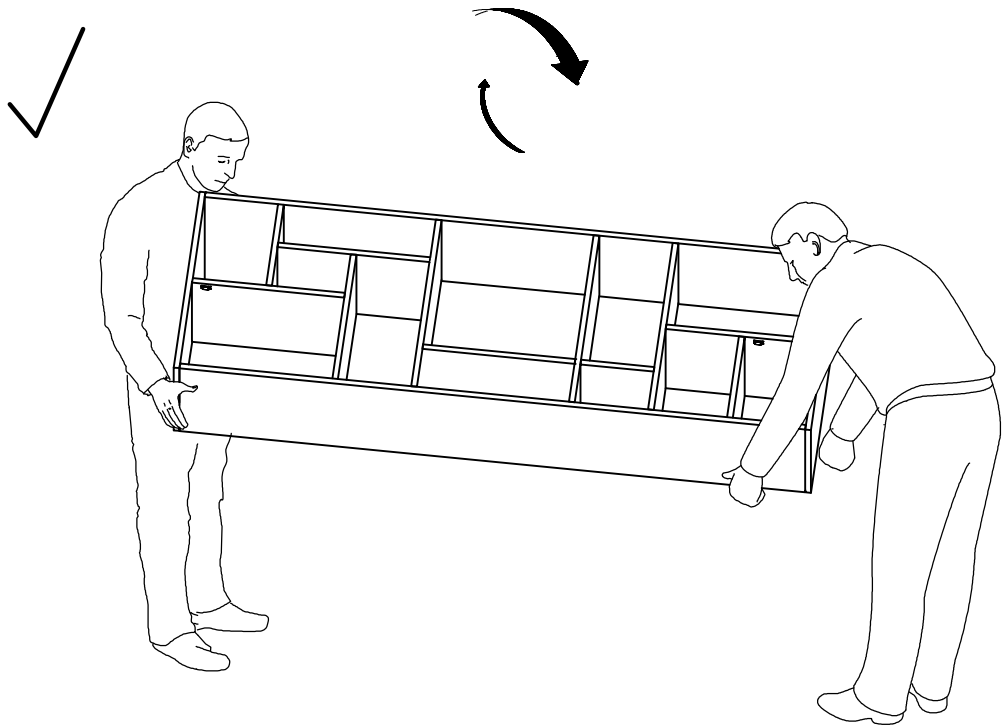
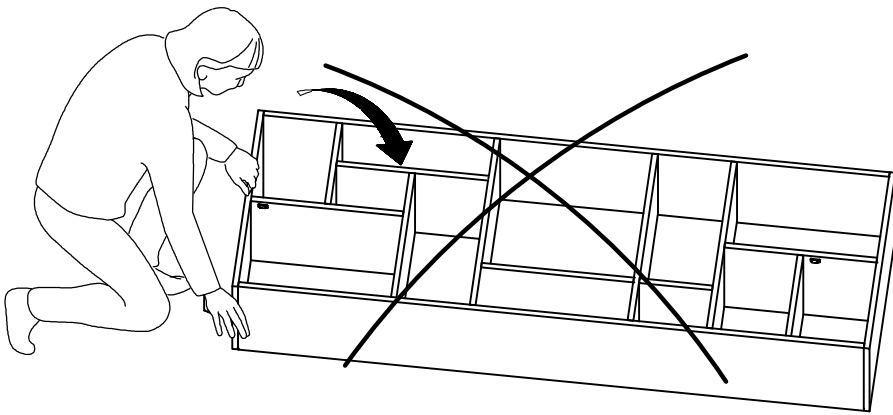
# 20



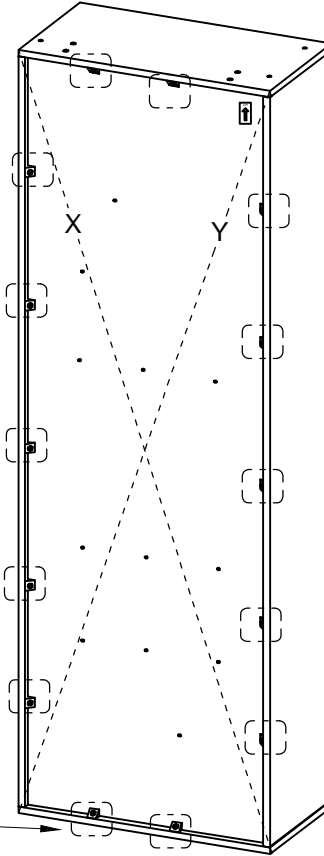
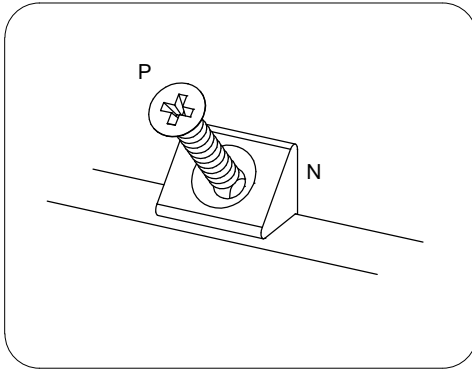
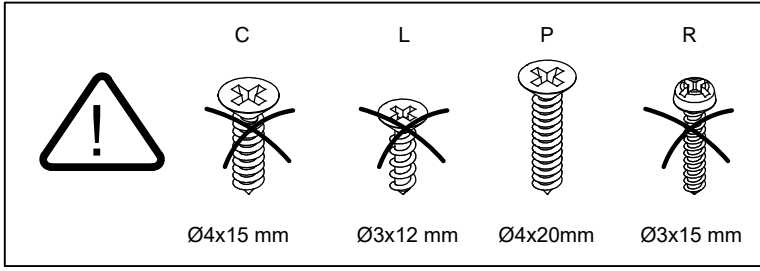
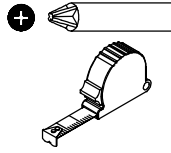
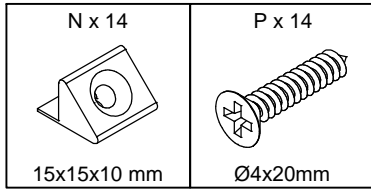
# 21



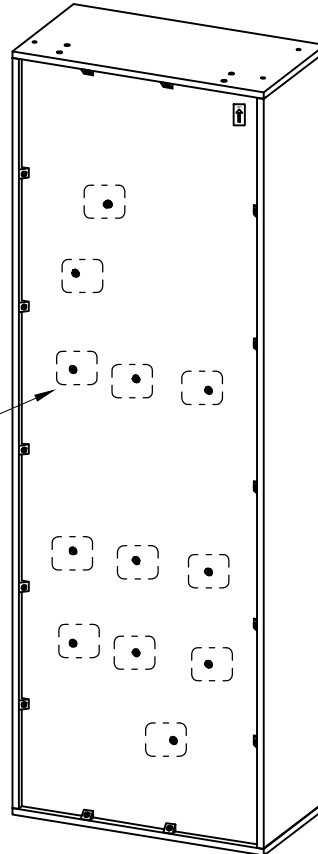
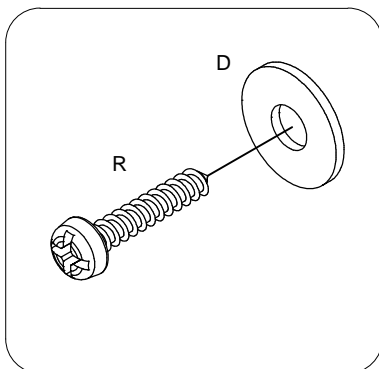
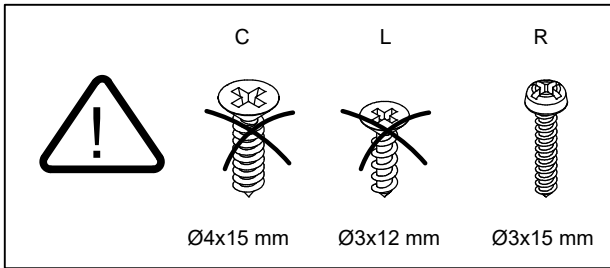
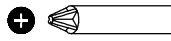
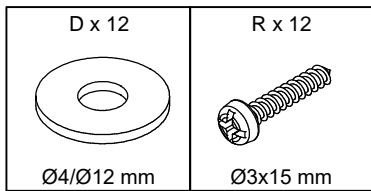
22



# 23

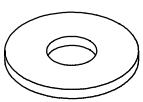
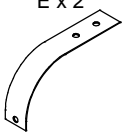
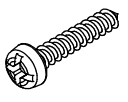


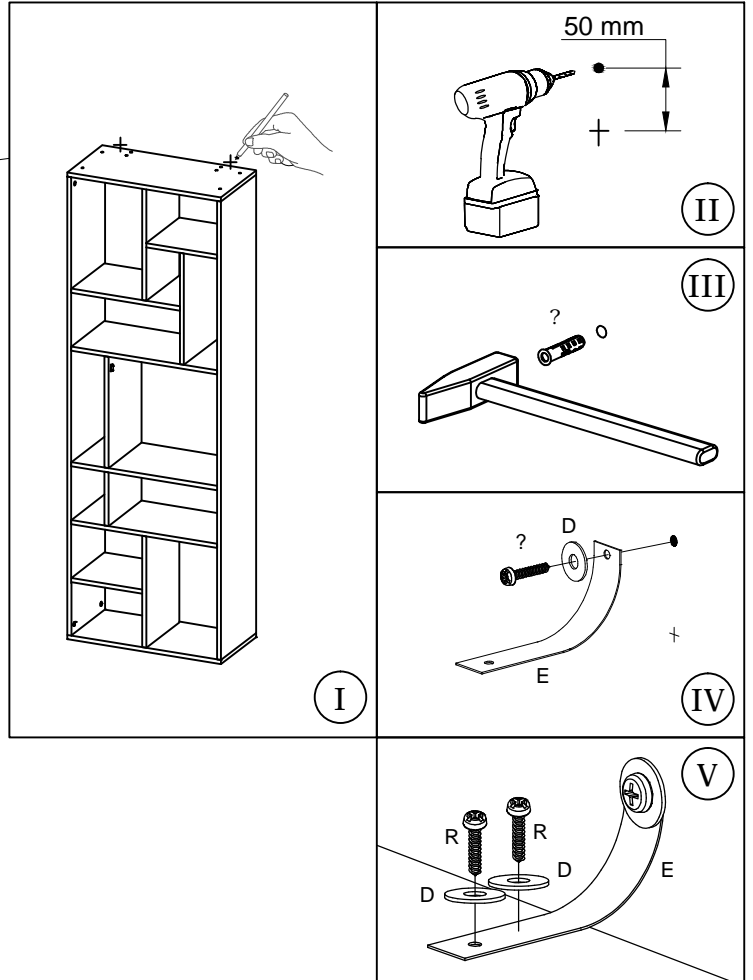
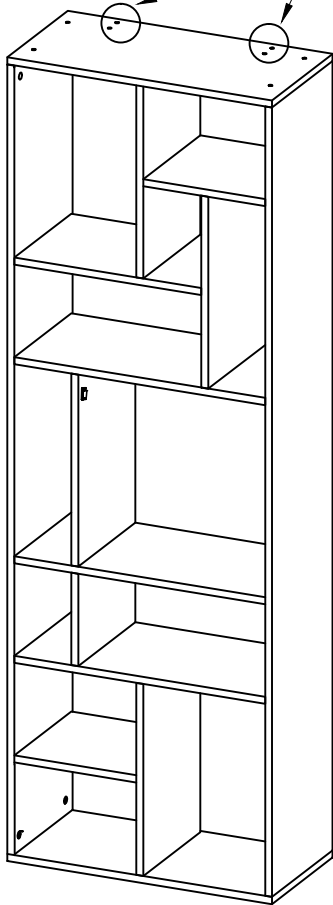
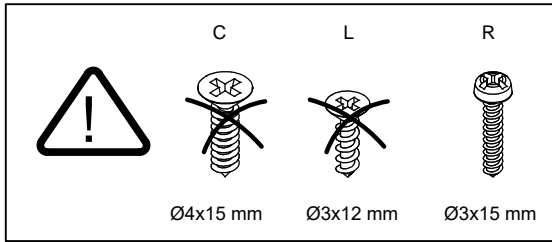
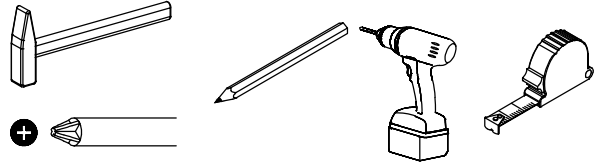
# 24



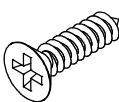
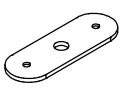
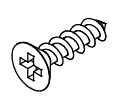
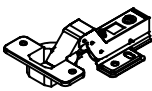
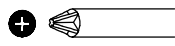


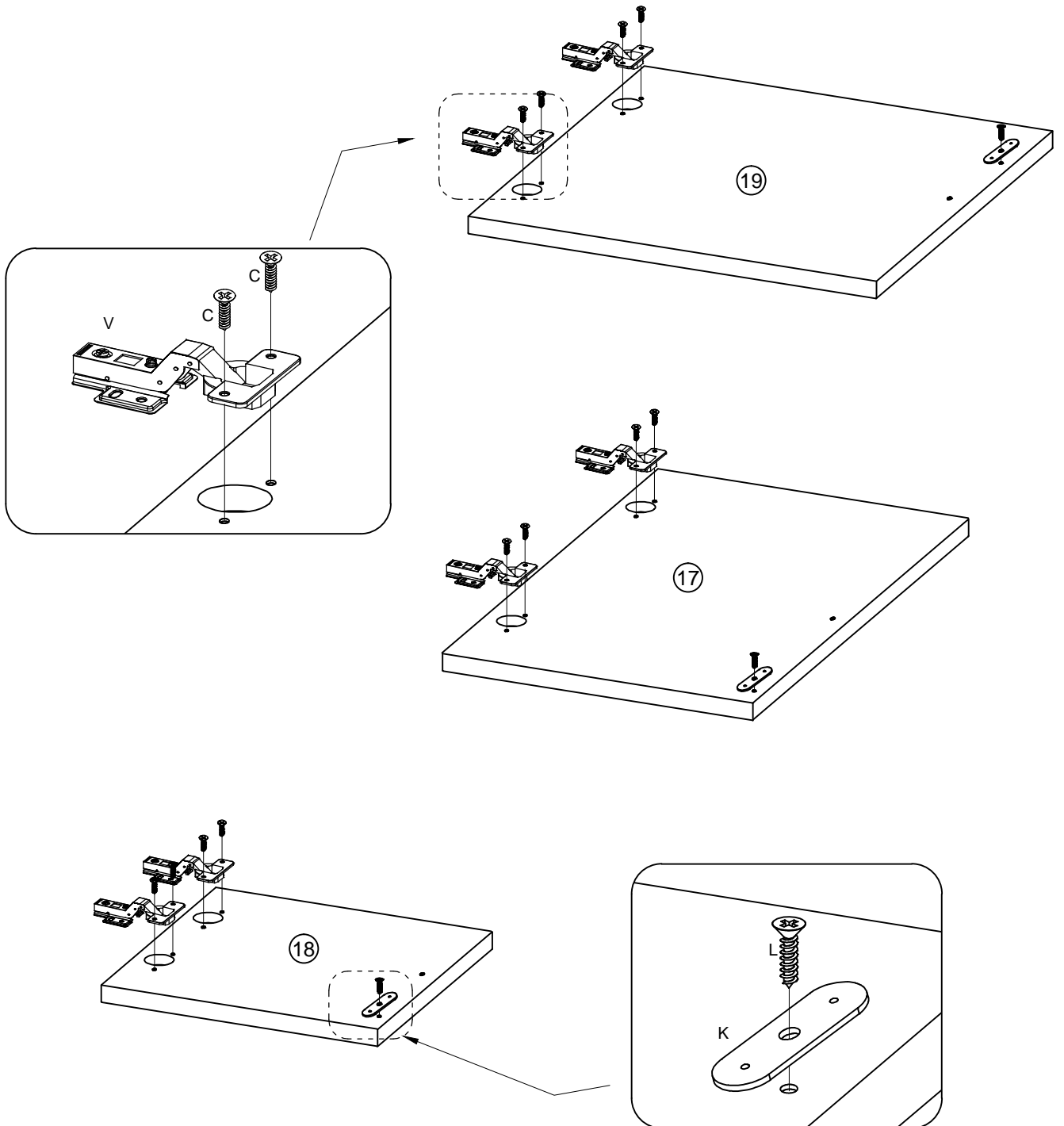
# 25

D x 6  Ø4/Ø12 mm	E x 2  150x26 mm	R x 4  Ø3x15 mm
---	---	--

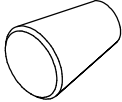
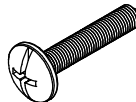
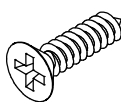


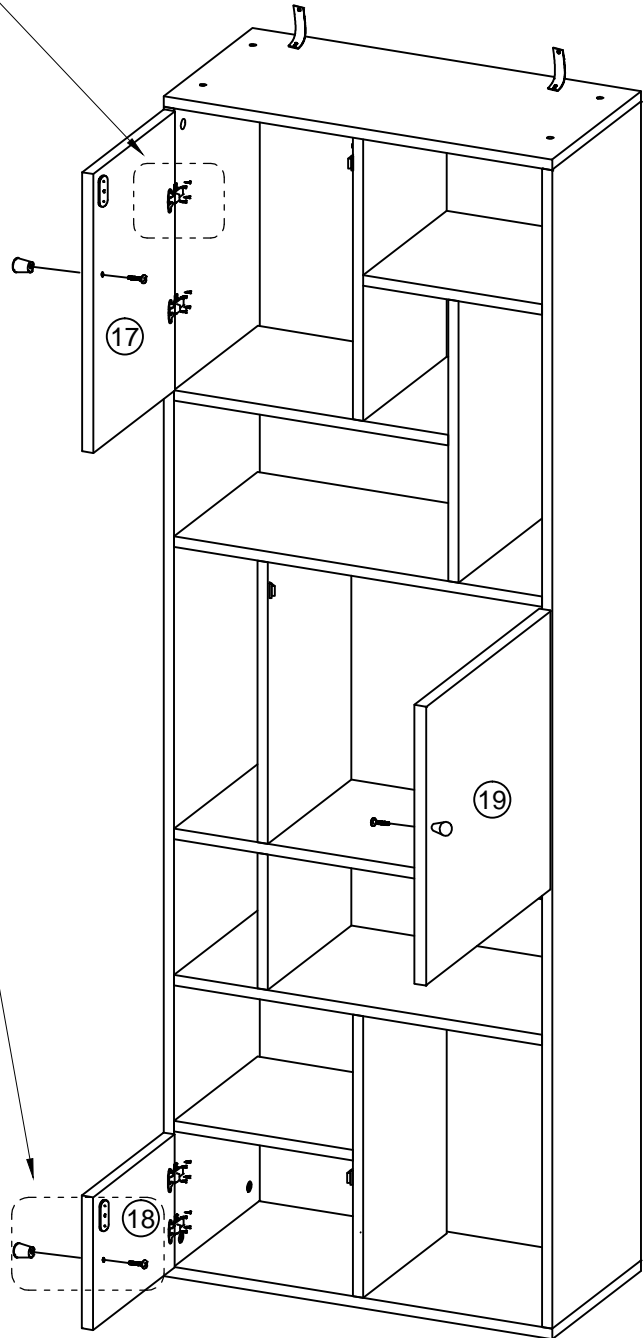
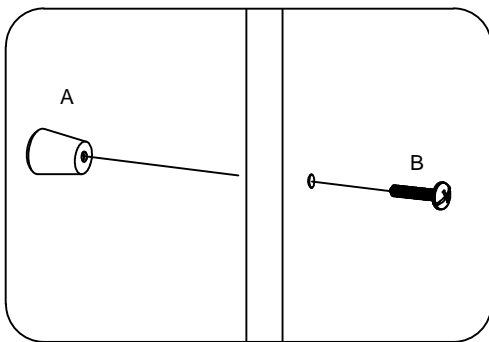
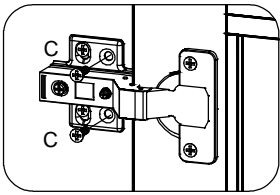
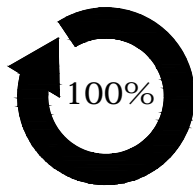
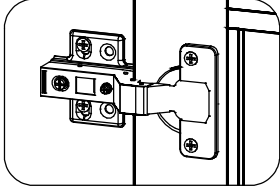
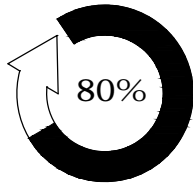
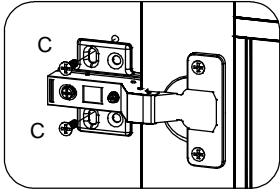
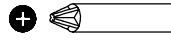
# 26

C x 12  Ø4x15 mm	K x 3  35x12 mm	L x 3  Ø3x12 mm	V x 6  Ø26/FK17	
---	--	--	--	---

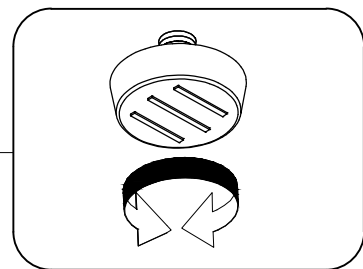
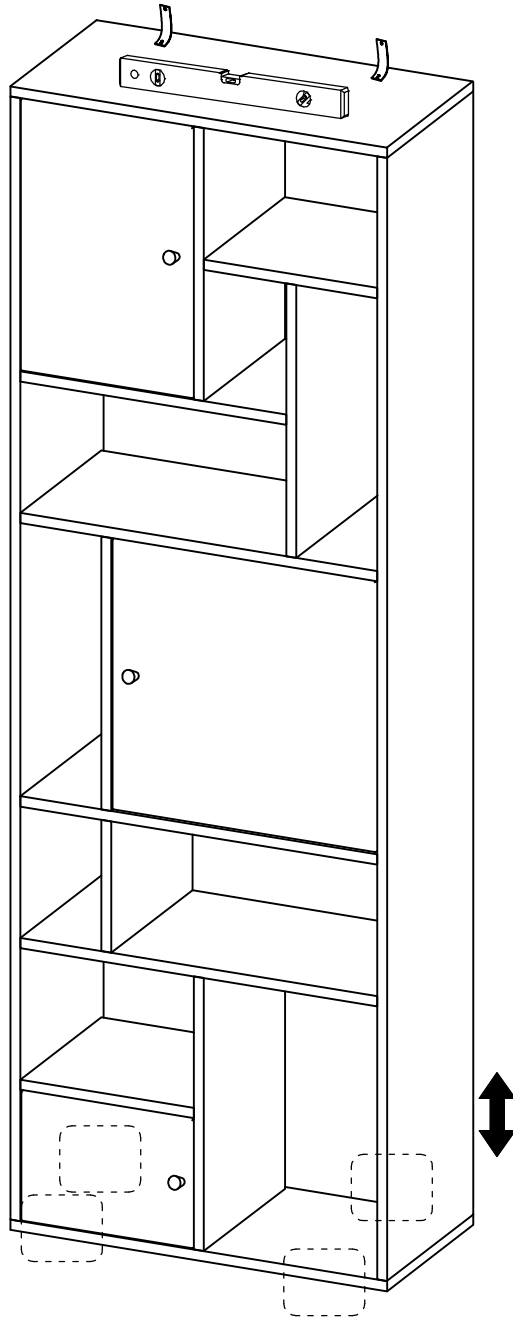
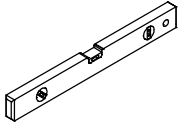


# 27

A x 3  Ø11/Ø16x22	B x 3  M4x22 mm	C x 24  Ø4x15 mm
--	--	---



28



# 29

