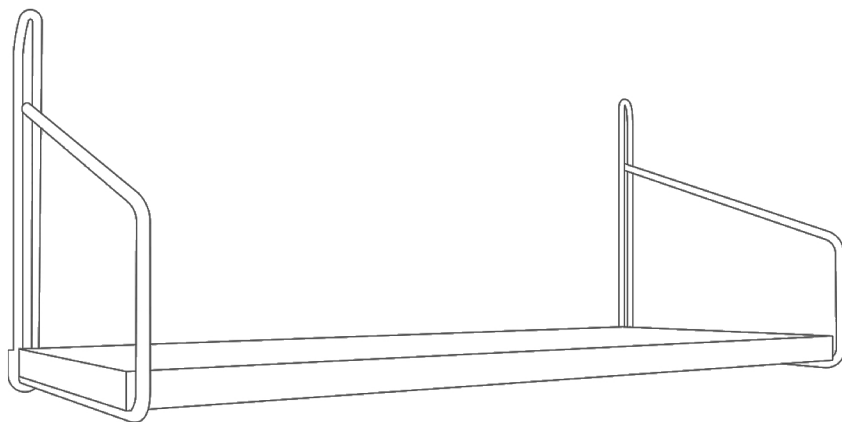
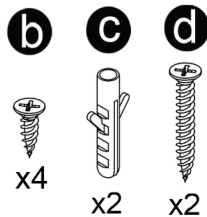
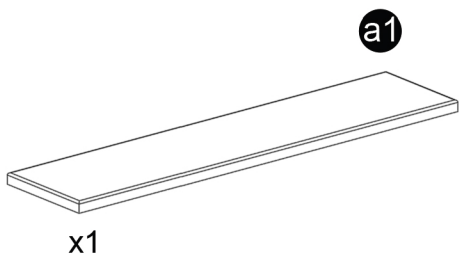


# DECORATIVE WALL SHELF

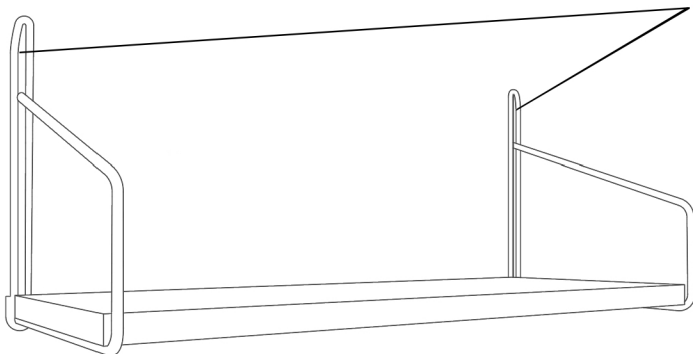
## Assembly Guide



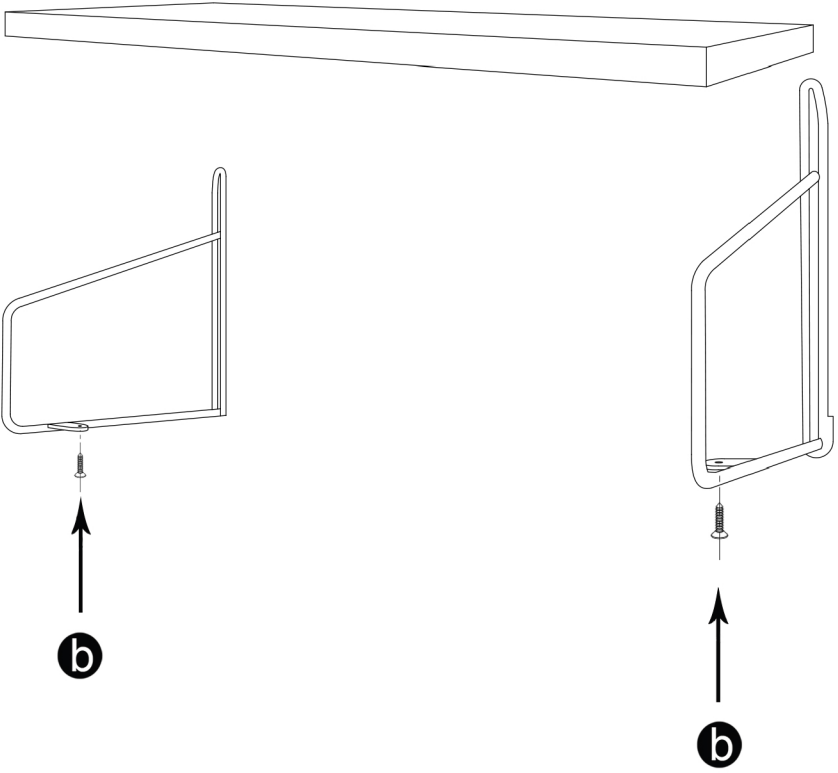
# ACCESSORIES LIST



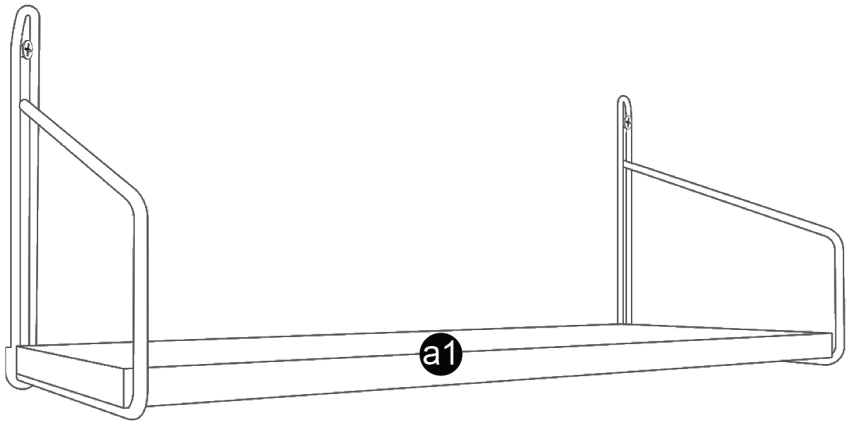
- 
- 1 Mark the hole locations by aligning the wire rack to the wall.



- 2 Drill the areas you marked.



Screw the wooden shelves into the screw slots on the wire.



Hang the rack you prepared into the wall dowels by screwing.