

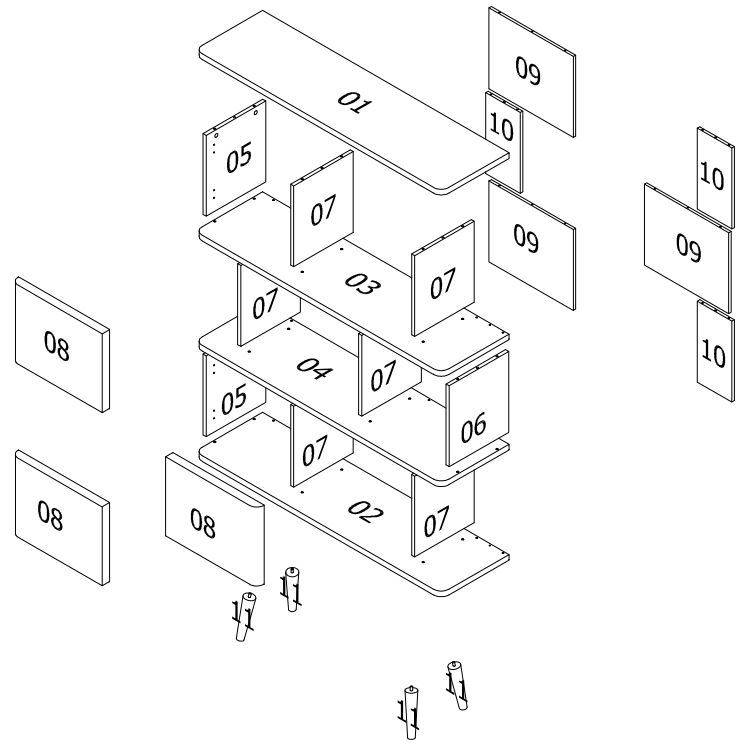
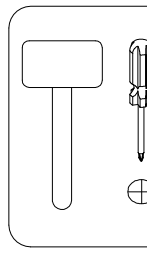
ASSEMBLING GUIDE MODEL 3306-2-01

**WARNING! NOT SUITABLE FOR CHILDREN
UNDER 3 YEARS. CONTAINS SMALL PARTS.**

CAUTION
MATERIAL USED - LAMINATED MEDIUM DENSITY FIBERBOARD AND PARTICLEBOARD FRAME * TO CLEAN
USING SOFT, DRY, CLOTH * DO NOT USE DETERGENT OR CHEMICALS * AVOID CONTACT WITH WATER AND
DIRECT SUNLIGHT * TO BE ASSEMBLED ON A SOFT, DRY, CLEAN AND SMOOTH SURFACE * DO NOT USE
POWER DRILLS TO ASSEMBLE AS THIS MAY CAUSE DAMAGE TO THE PRODUCT IF OVER-TIGHTENED

A		CSK SCREW M3.5 X 15MM	13
B		EURO SCREW M6 X 13MM	24
C		UNITAR SCREW M7 X 60MM	18
D		WOOD DOWEL (Ø6 X 20MM)	30
E		WOOD DOWEL (Ø8 X 25MM)	9
F		BOLT-9607 PARALEL NECK DOWEL 24 X 8.5	24
G		CAM-9499 CAM 3000 15 X 12	18
H		CAM-9642 CAM 3000 12/13MM	6

J1		METAL CONCEALED HINGES (5/8") W/ SPRING	6
J2		HINGES PLATE	6
K		PLASTIC LEVELLER(10MM)	6
L		ALLEN KEY M4	1
M		WEBBING TAPE (1.2 X 12 X 145 MM)	1
N		GLUE	4
P		METAL 10 BRACKET (2 X 92 X 92MM)	4



1

05=2PCS
07=6PCS
06
09=3PCS
10=3PCS

D X30 **E X9** **N**

2

01
03
04

F X24

3

05
07

A X12 **J1 X6**

4

05=2PCS
06

B X12 **J2 X6**

5

09
07
10

G X6 **H X1** **N**

6

05
07
10

C X6 **H X1** **E**

7

05
07
10

G X6 **H X1** **N**

8

05
07
10

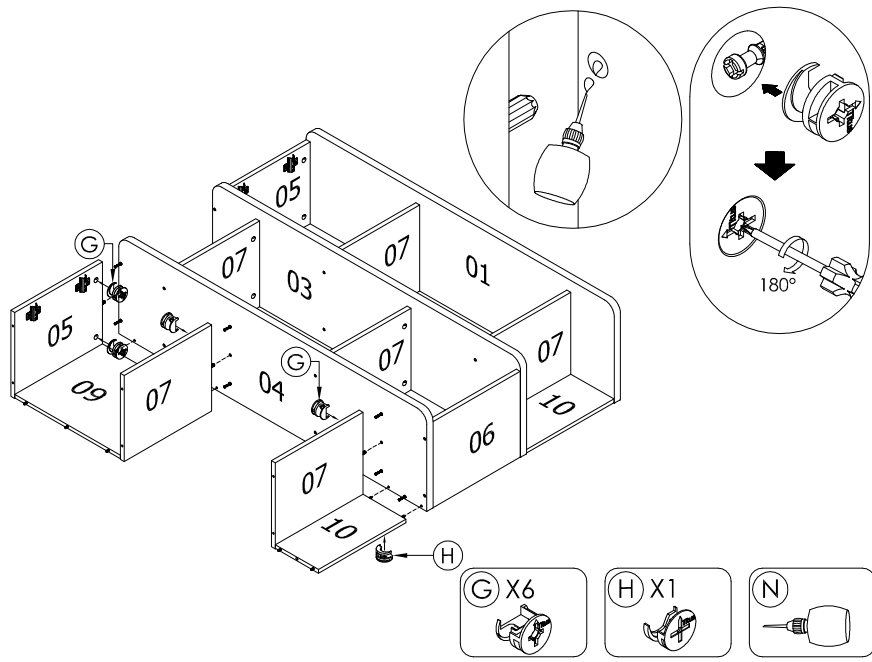
C X6 **H X1** **E**

ASSEMBLING GUIDE MODEL 3306-2-01

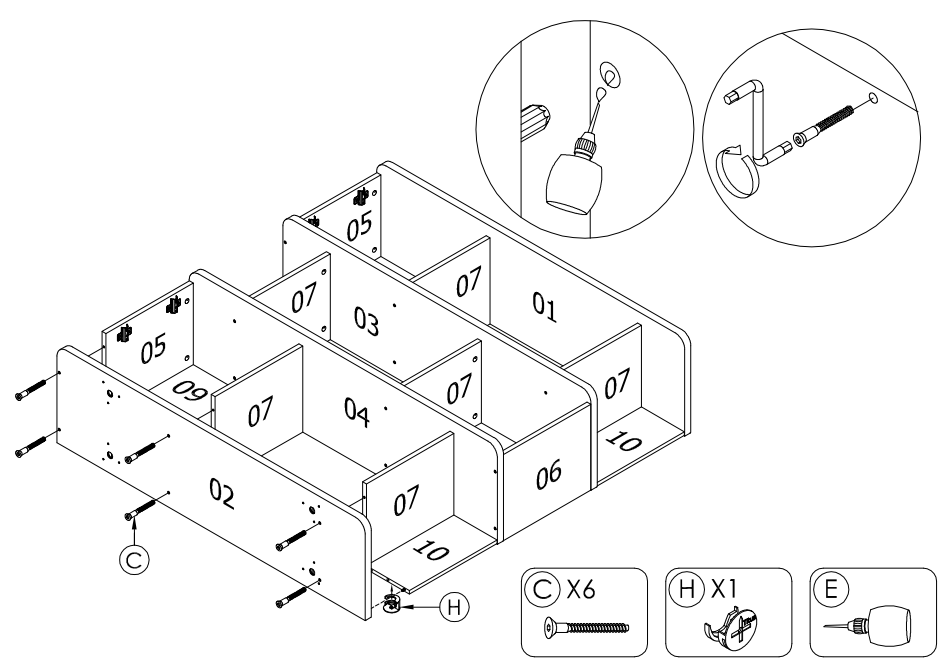
**WARNING! NOT SUITABLE FOR CHILDREN
UNDER 3 YEARS. CONTAINS SMALL PARTS.**

CAUTION
MATERIAL USED - LAMINATED MEDIUM DENSITY FIBERBOARD AND PARTICLEBOARD FRAME * TO CLEAN USING SOFT, DRY, CLOTH * DO NOT USE DETERGENT OR CHEMICALS * AVOID CONTACT WITH WATER AND DIRECT SUNLIGHT * TO BE ASSEMBLED ON A SOFT, DRY, CLEAN AND SMOOTH SURFACE * DO NOT USE POWER DRILLS TO ASSEMBLE AS THIS MAY CAUSE DAMAGE TO THE PRODUCT IF OVER-TIGHTENED

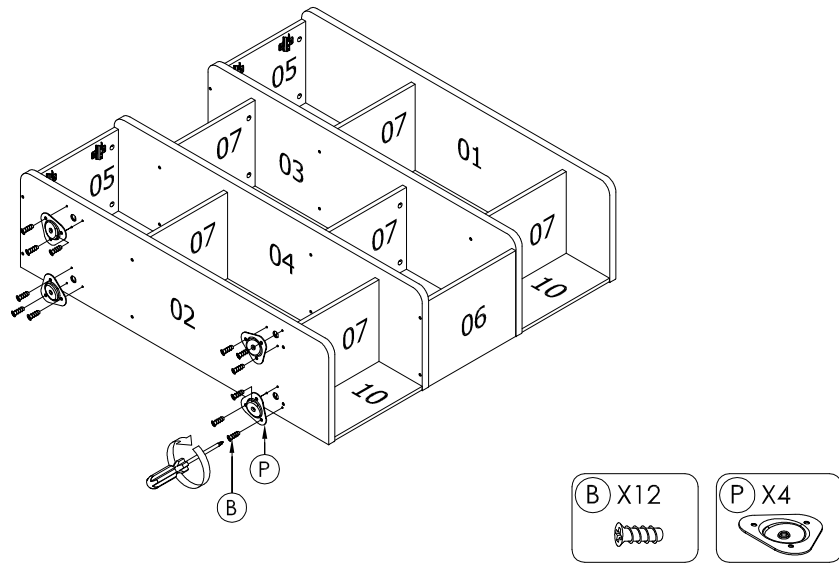
9



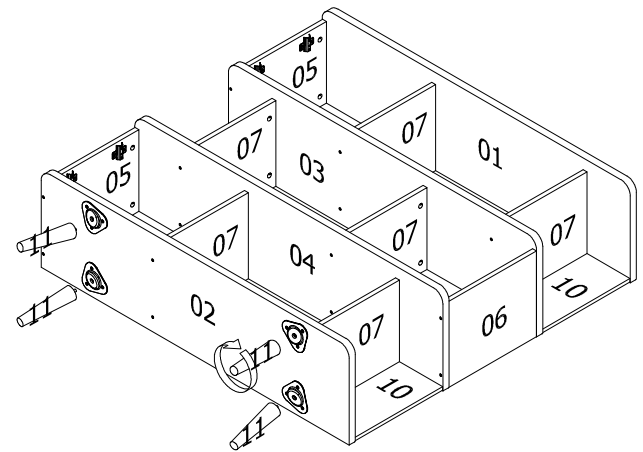
10



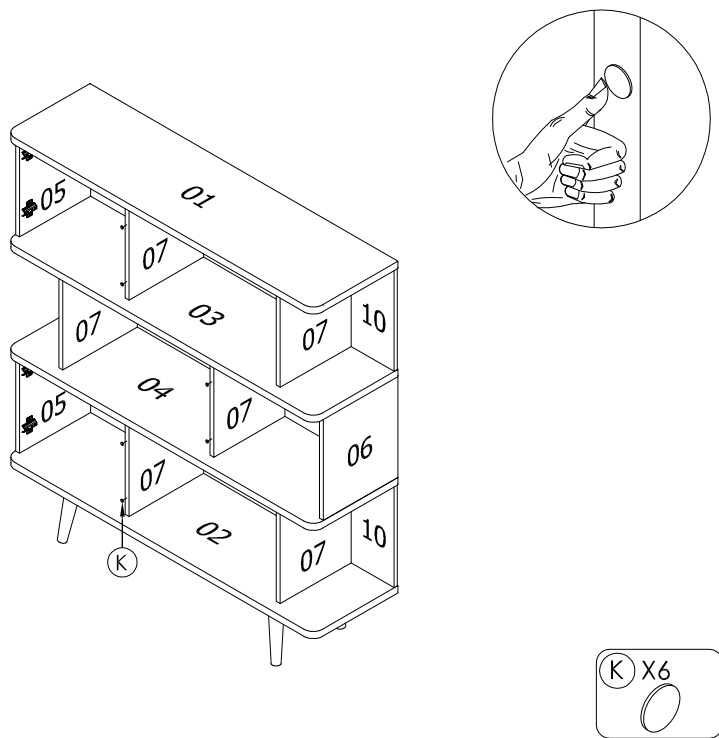
11



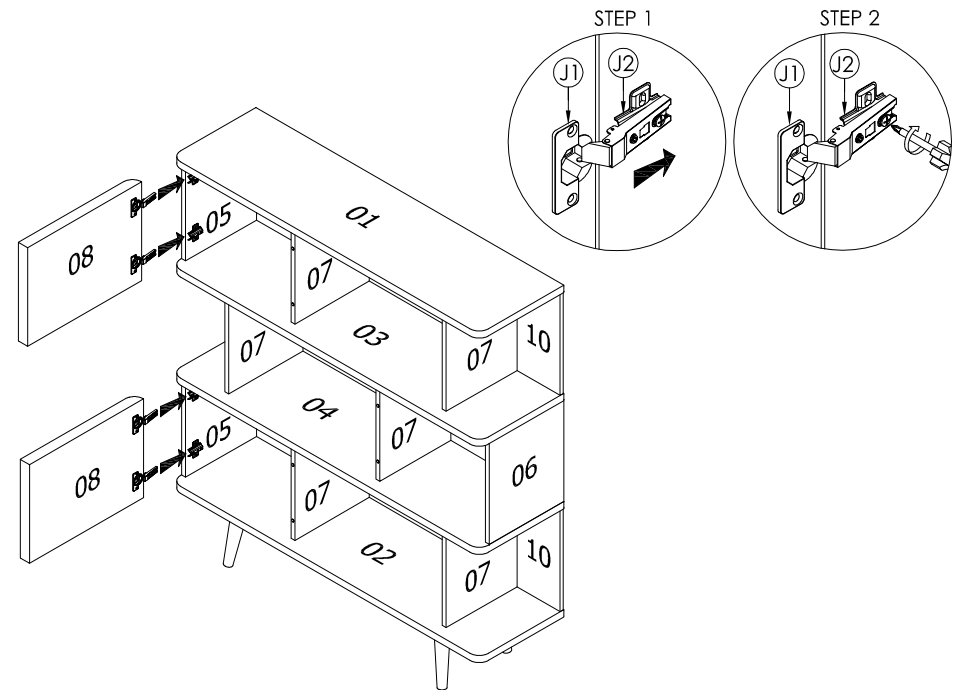
12



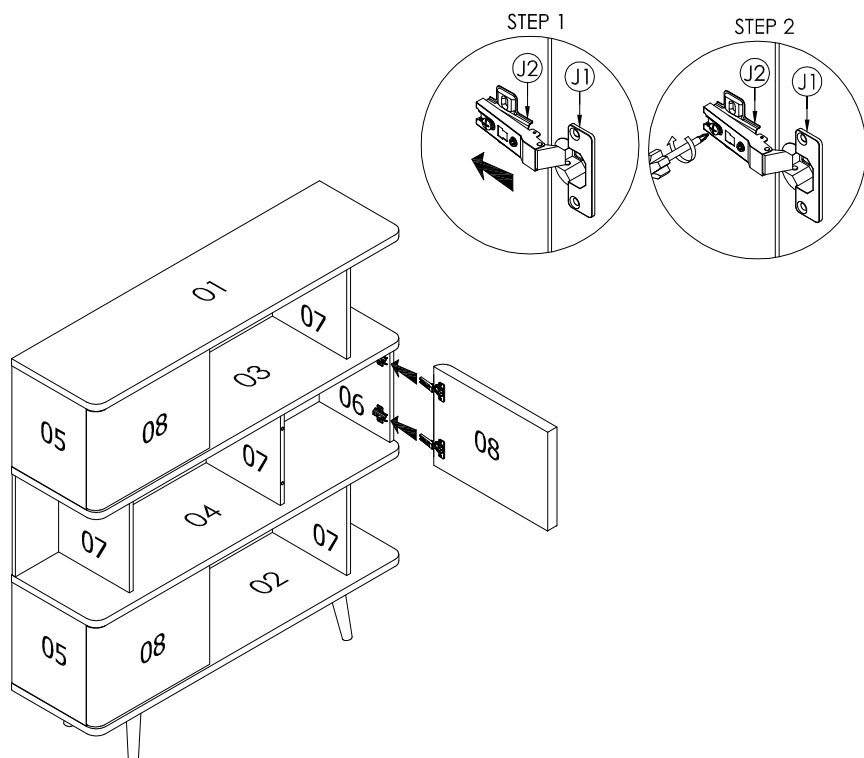
13



14



15



16

