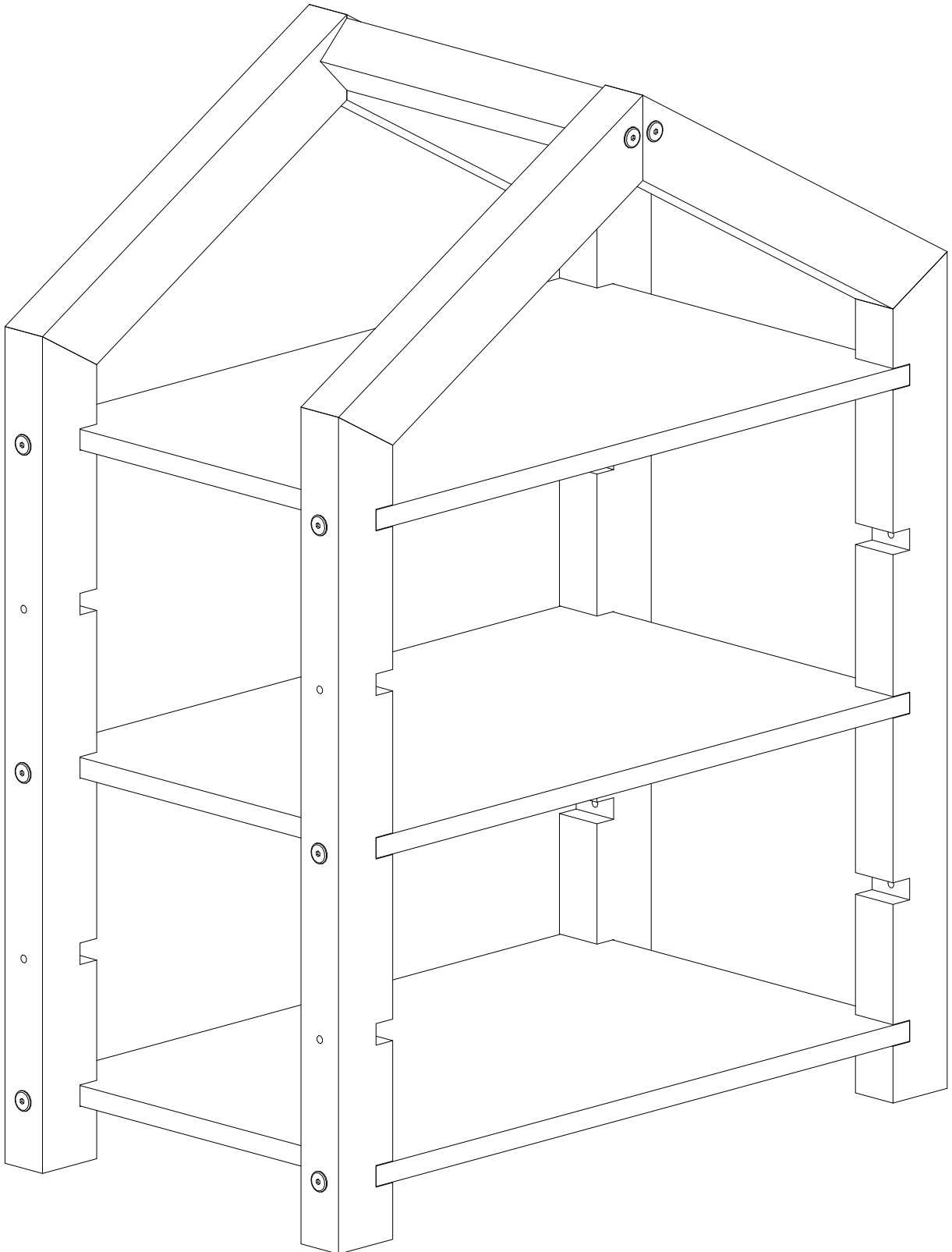
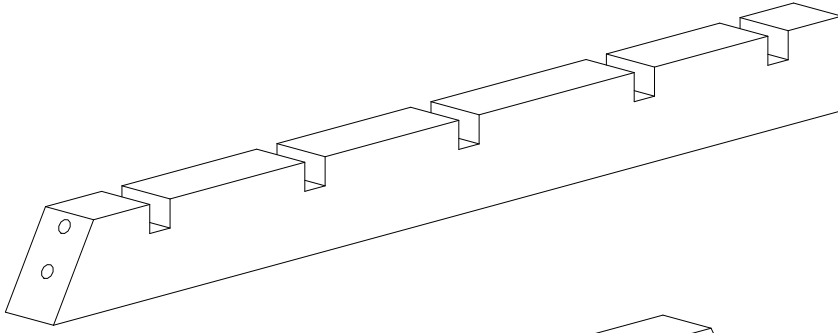


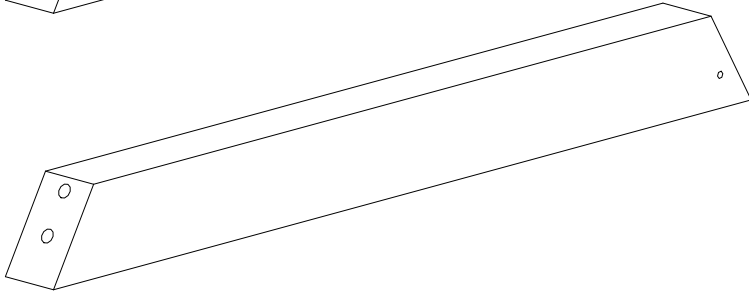
# RGM



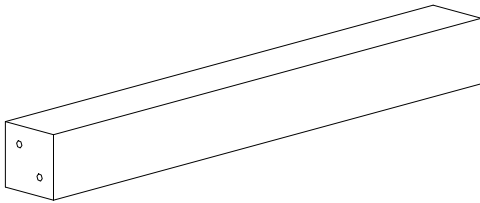
NRG



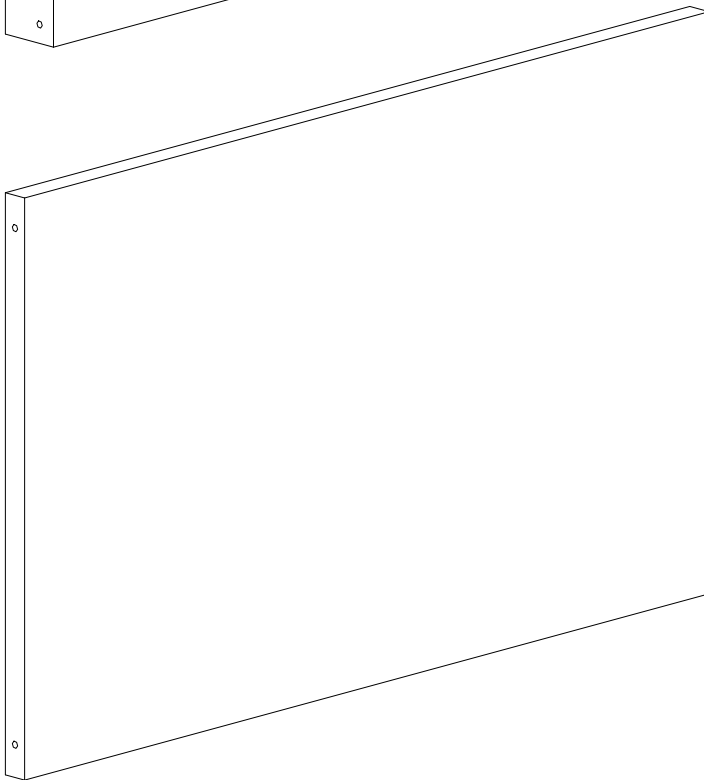
SK



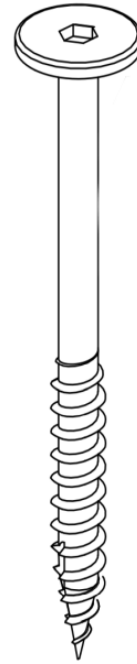
B2



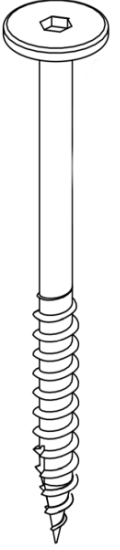
BL



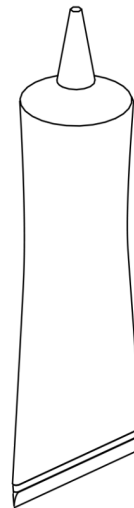
S110



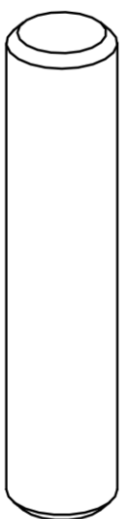
S80



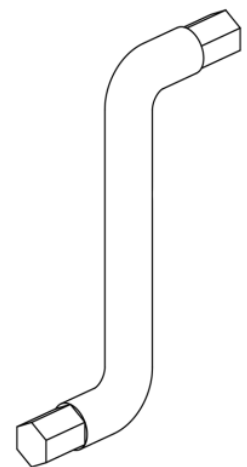
G



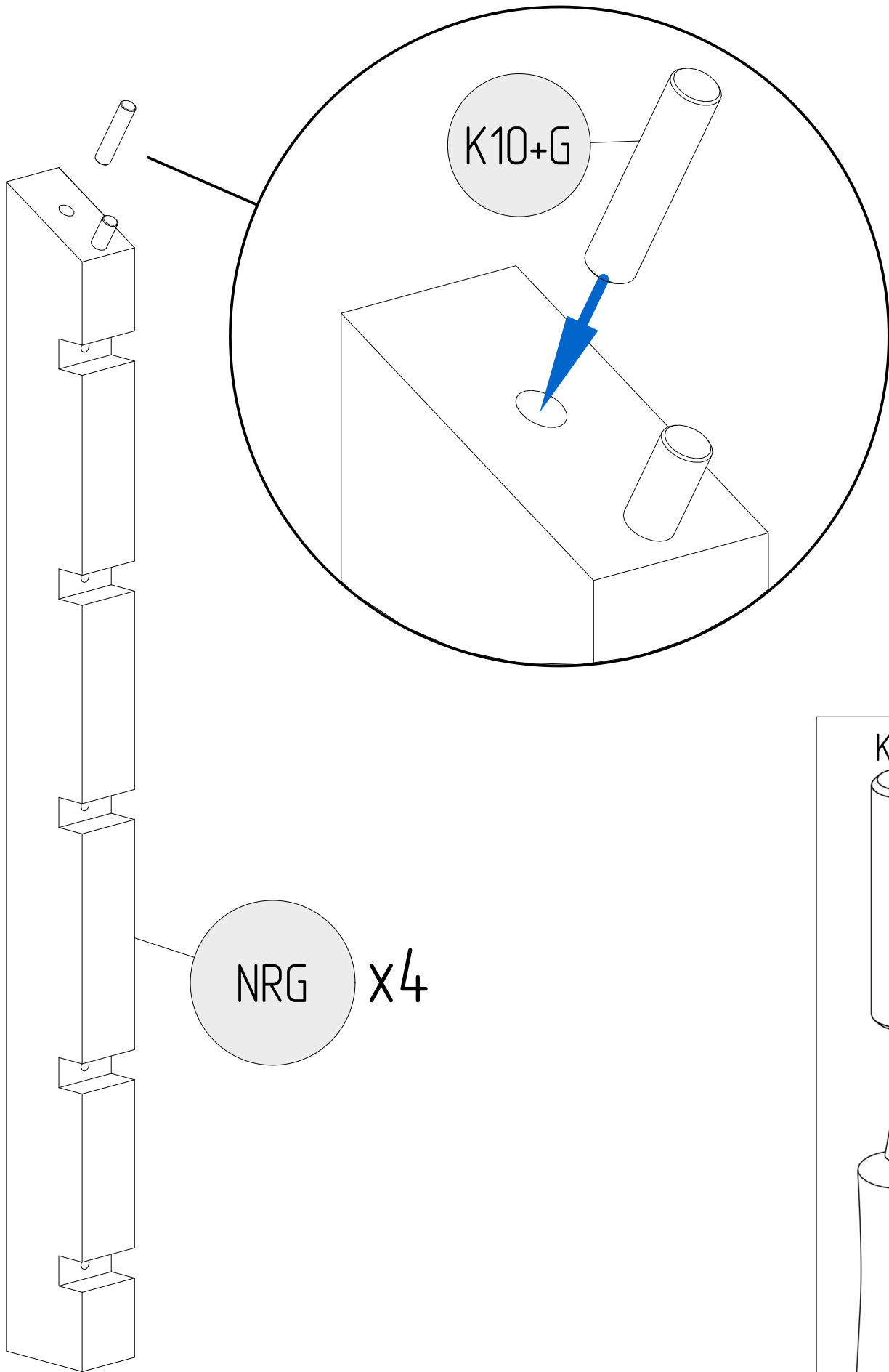
K10



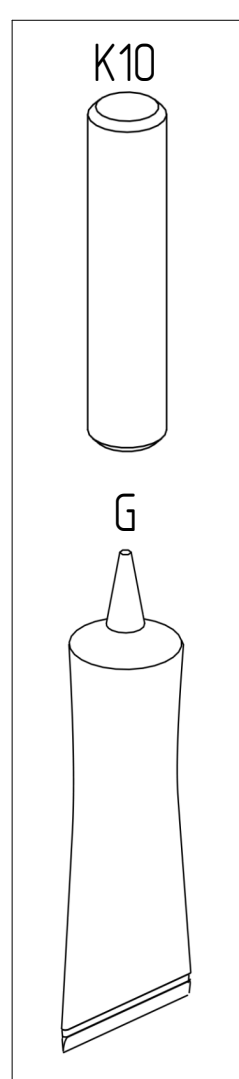
INBUS

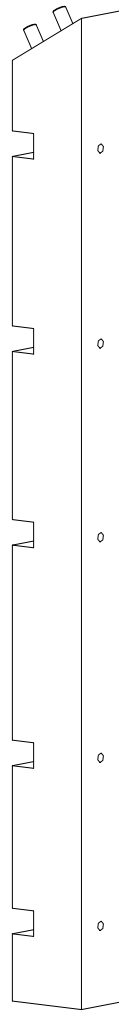
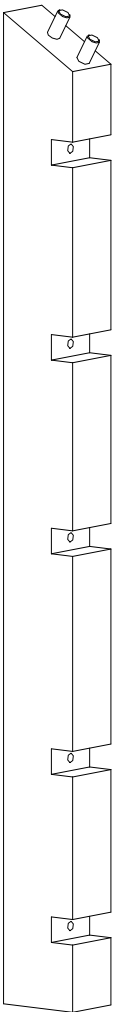
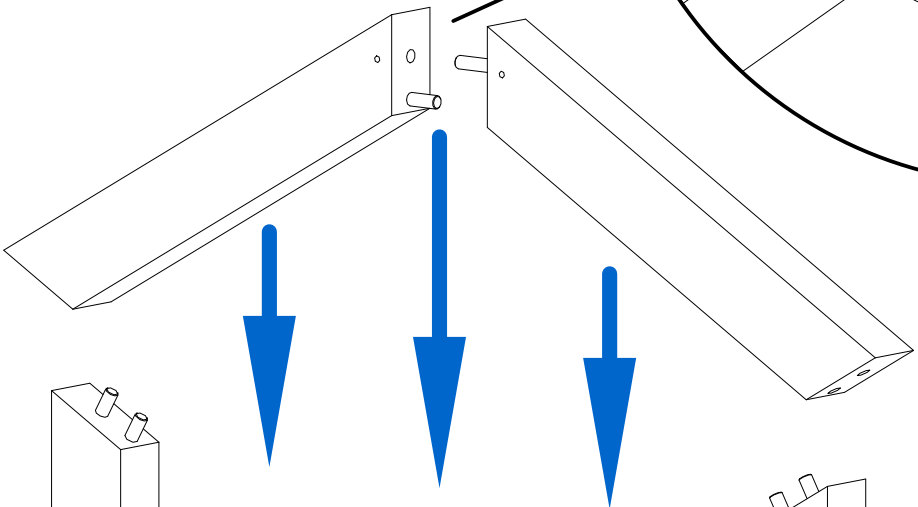
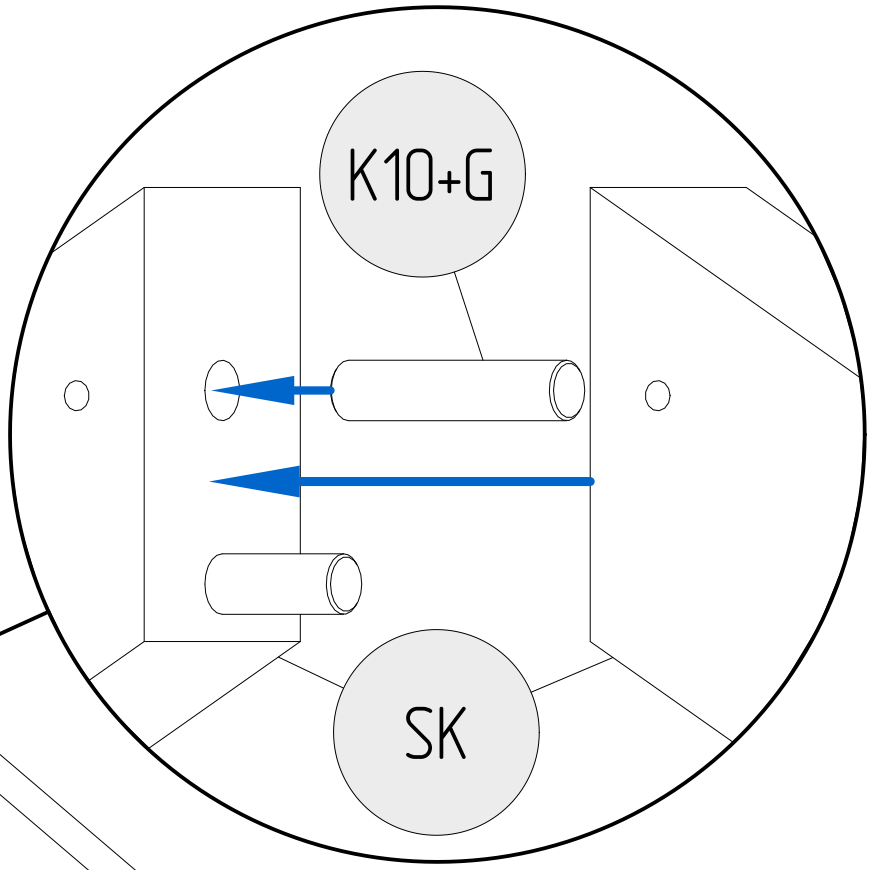


ELEMENT/PART	NRG	SK	B2	BL	S110	S80	G	K10	INBUS
ILOŚĆ/QUANTITY	4	4	1	3	12	4	2	12	2



NRG X4





x2

