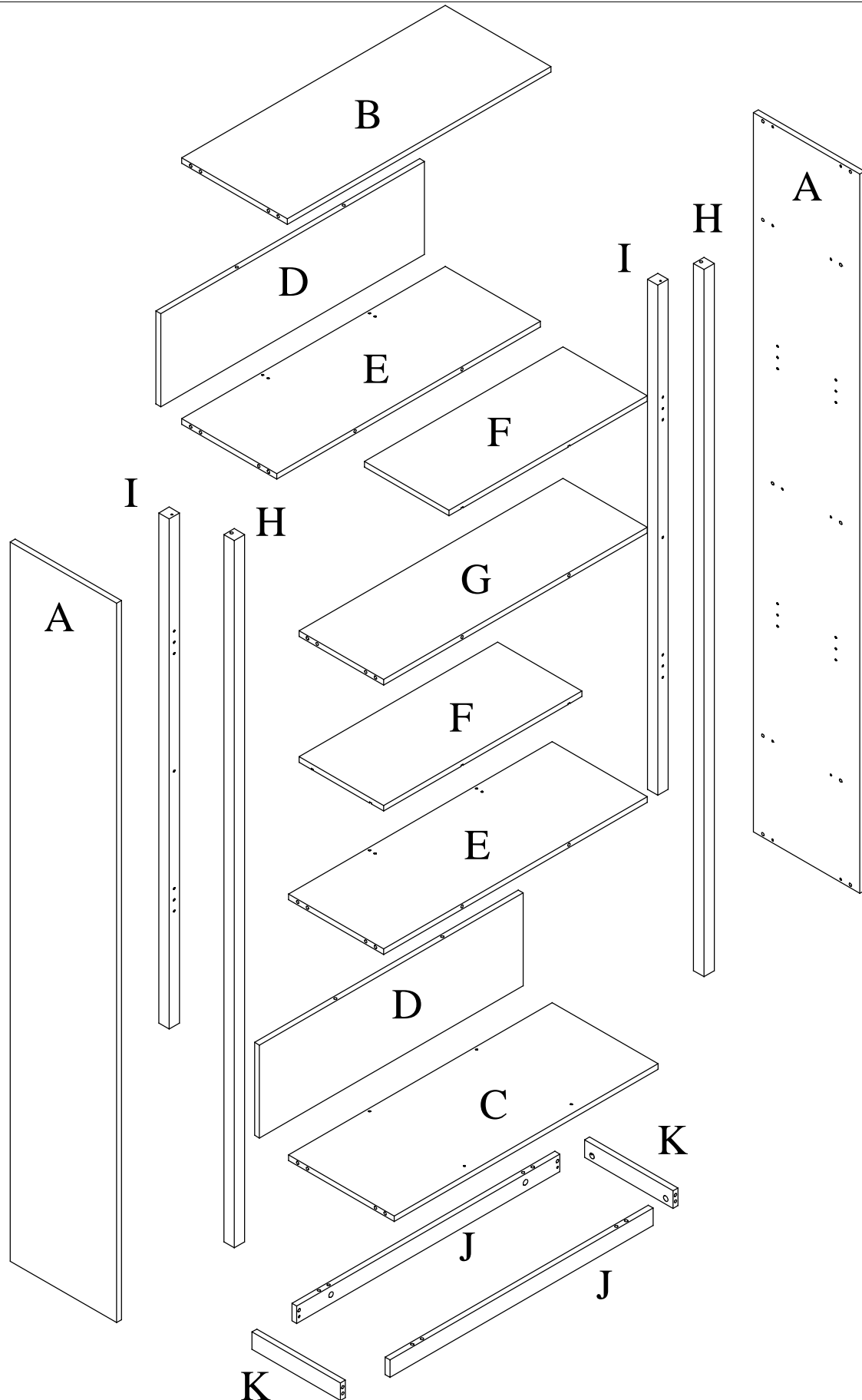


Reference no:

Designed by

Konhard Pfeifer



ENG – In case of any quality issues, contact your local dealer and always mention item reference No.

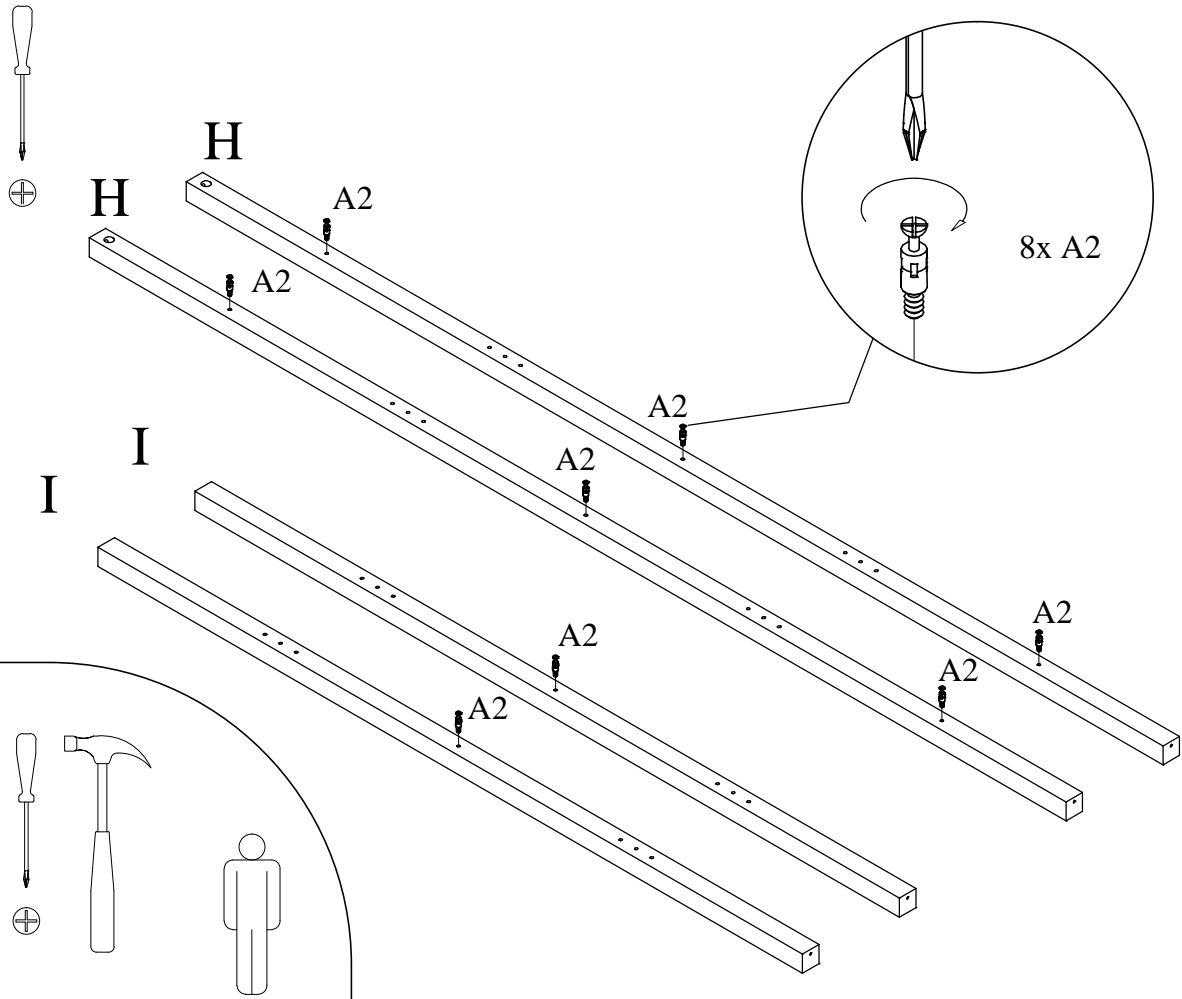
FR - En cas de problèmes de qualité, contactez votre revendeur local et mentionnez toujours la référence de l'article.





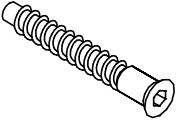






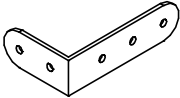
IT - In caso di eventuali problemi di qualità, contattare il rivenditore locale e citare sempre punto di riferimento No.

ES - En caso de problemas de calidad, póngase en contacto con su distribuidor local y mencione siempre la referencia del artículo.

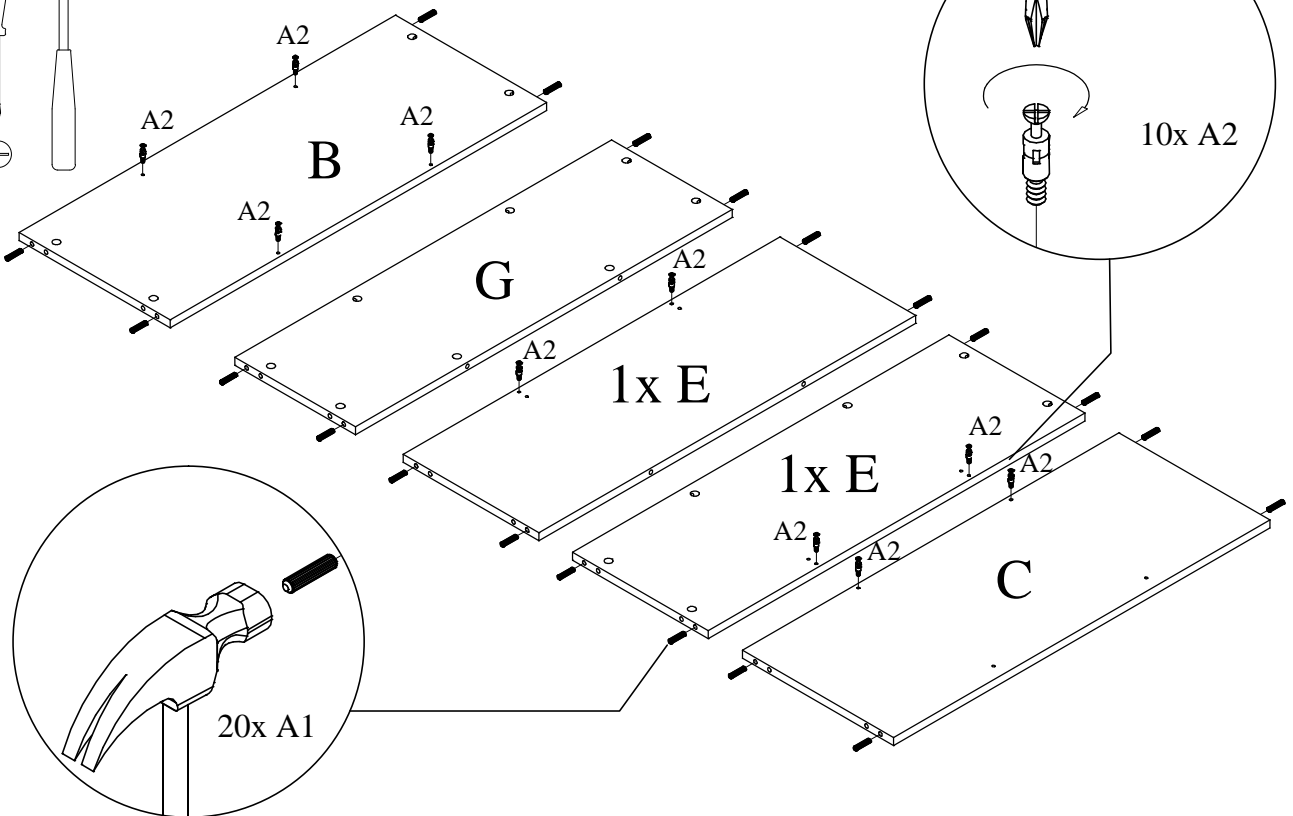
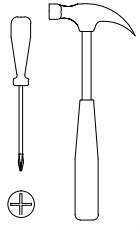
DE - Wenn Sie Qualitätsprobleme haben wenden Sie sich bitte an ihren örtlichen Händler und erwähnen Sie immer die Artikelnummer.

step 1

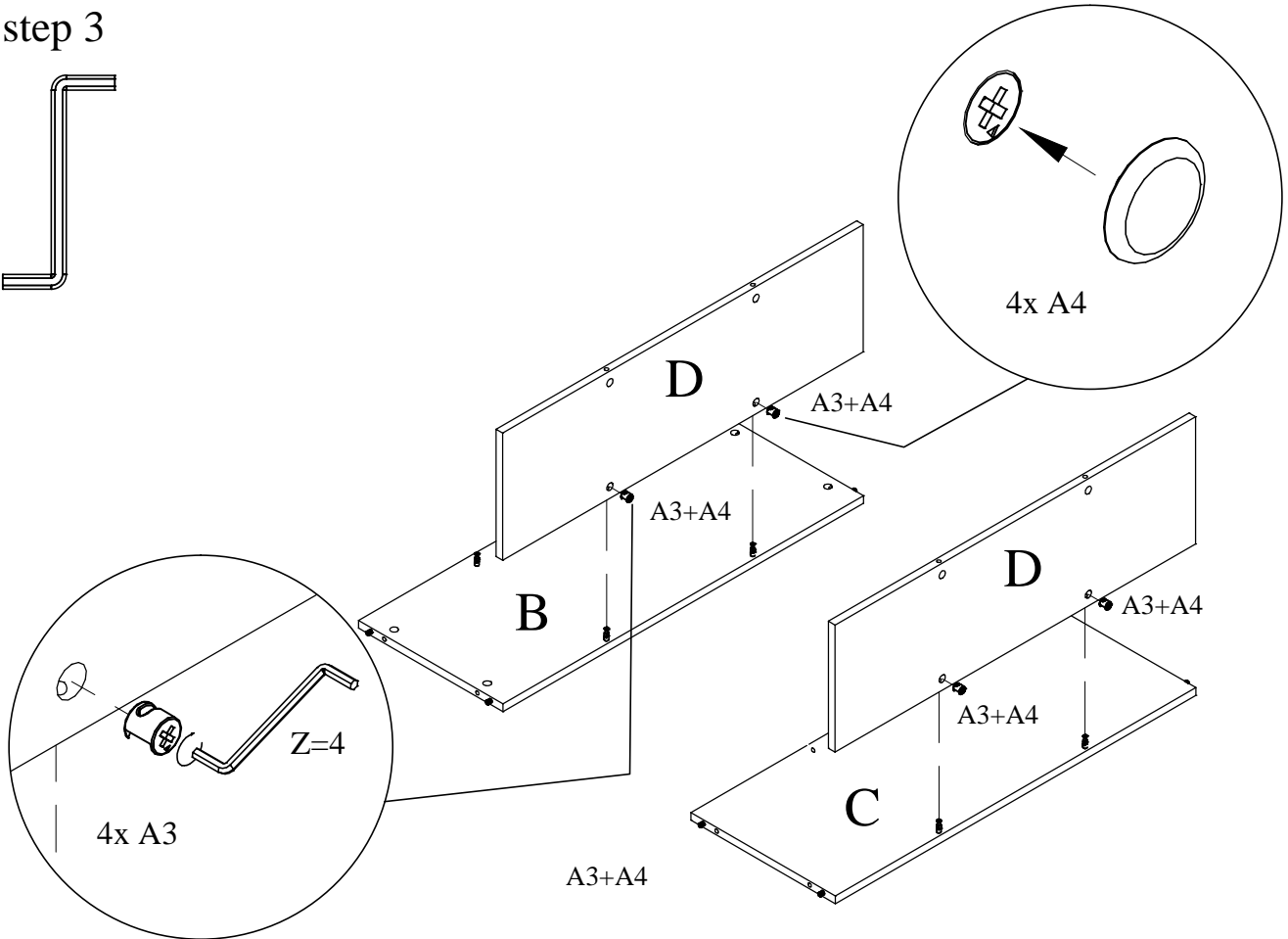
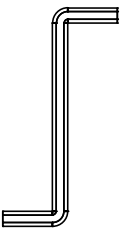


<p>A1</p>  <p>x28</p> <p>Ø8x35</p>	<p>A5</p>  <p>x20</p> <p>Ø5</p>	<p>A9</p>  <p>x1</p> <p>4mm</p>
<p>A2</p>  <p>x46</p> <p>Ø7x24</p>	<p>A6</p>  <p>x6</p> <p>Ø5x50</p>	<p>A10</p>  <p>x1</p> <p>3mm</p>
<p>A3</p>  <p>x46</p> <p>Ø15x11,5</p>	<p>A7</p>  <p>x5</p> <p>20mm</p>	<p>A11</p>  <p>x4</p> <p>Ø3,5x15</p>
<p>A4</p>  <p>x32</p> <p>Ø16 white</p>	<p>A8</p>  <p>x12</p> <p>Ø5</p>	<p>A12</p>  <p>x2</p> <p>72x42x20</p>

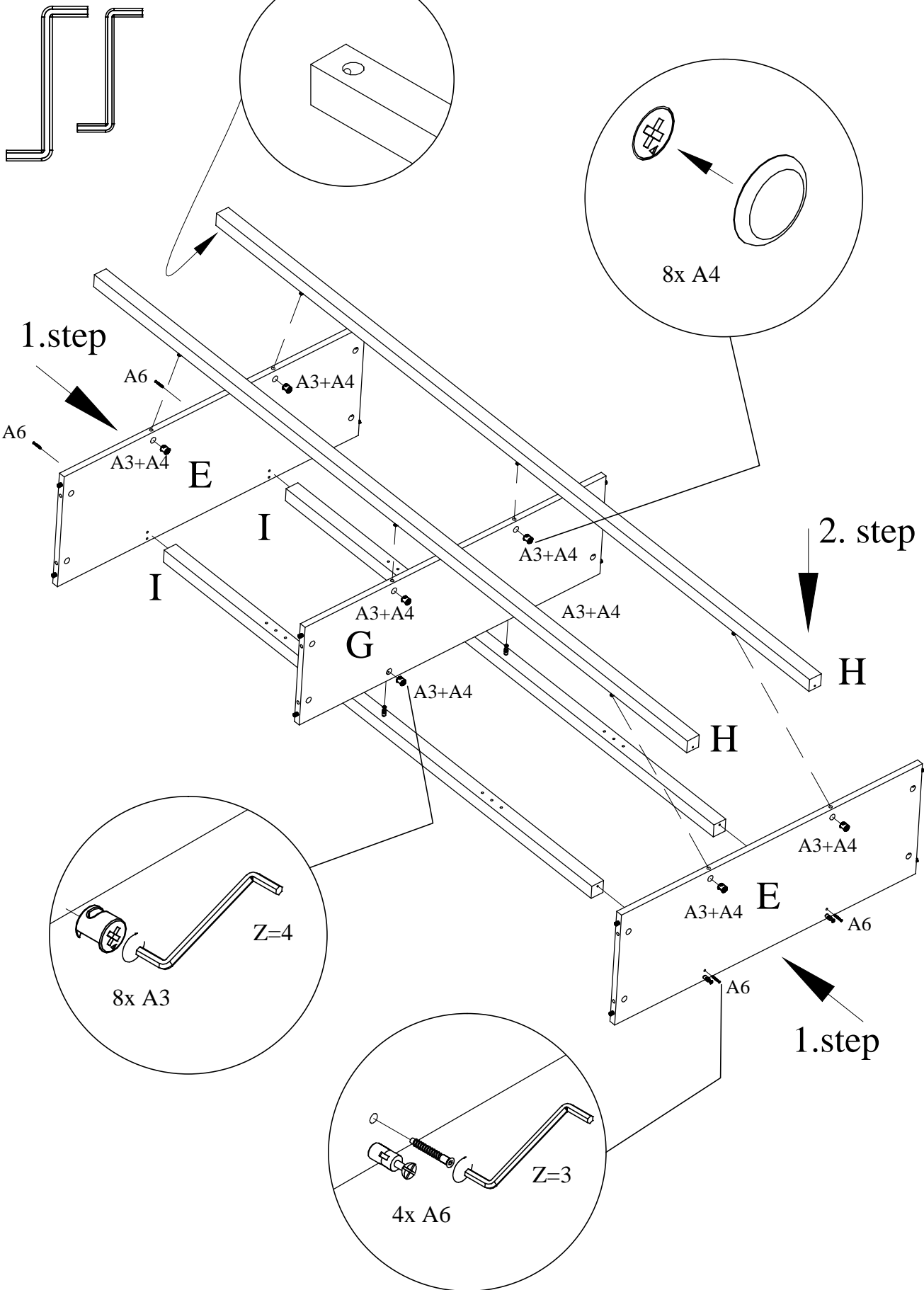
step 2



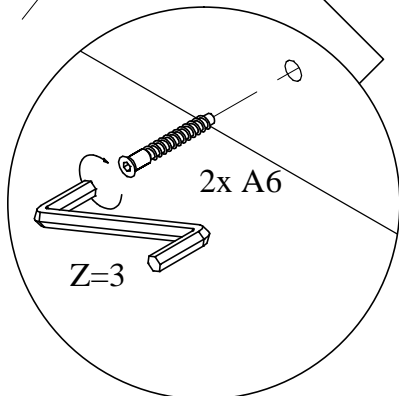
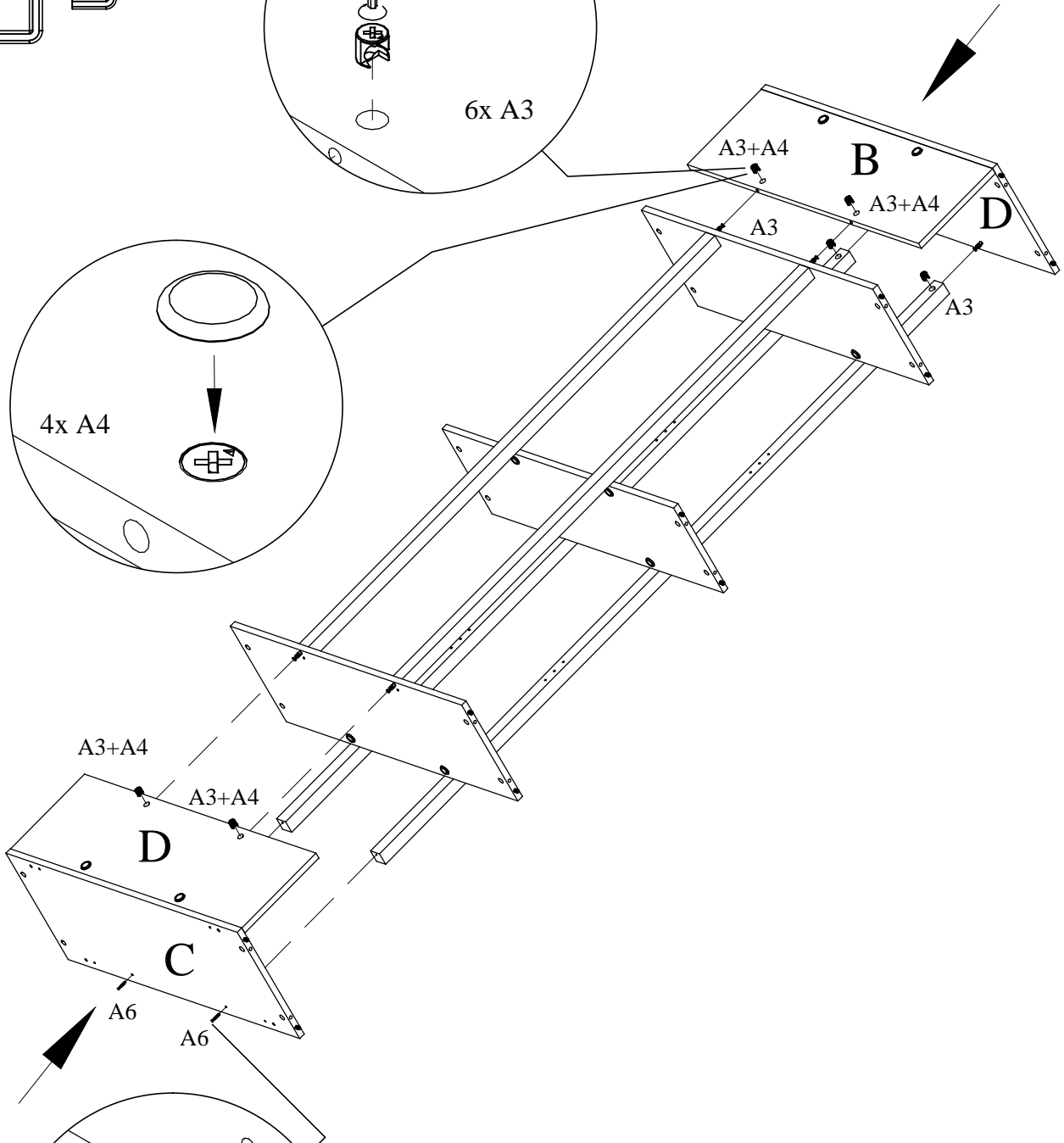
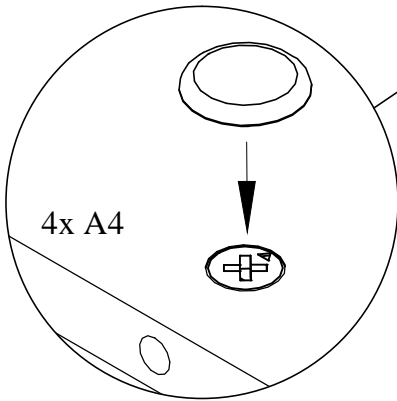
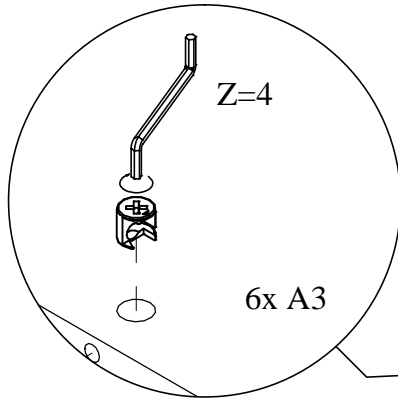
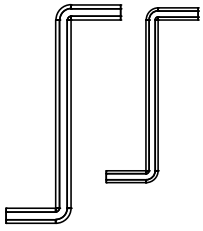
step 3



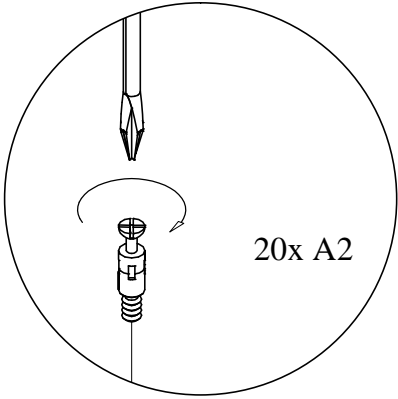
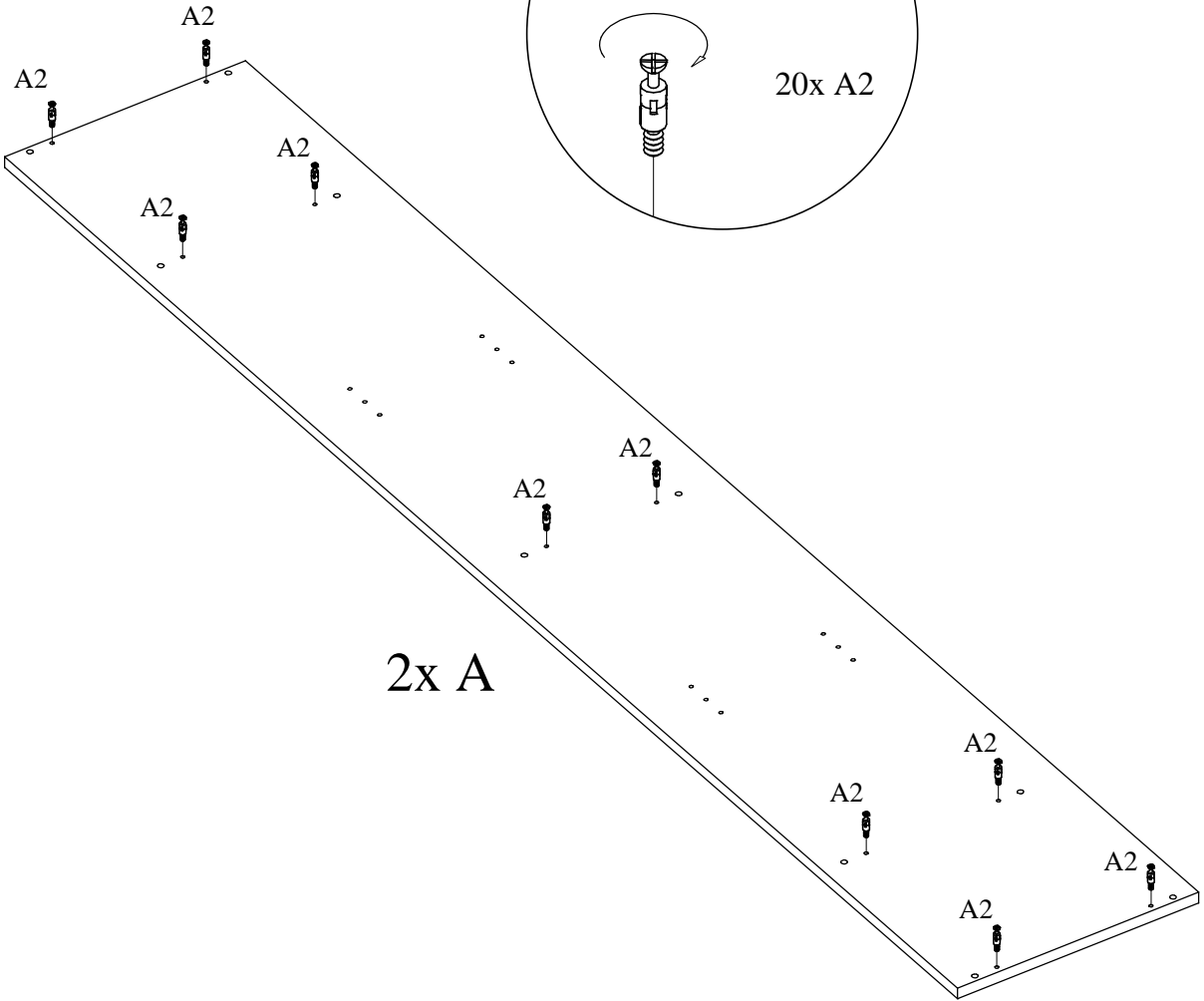
step 4



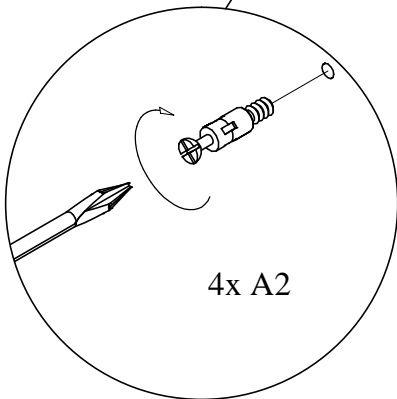
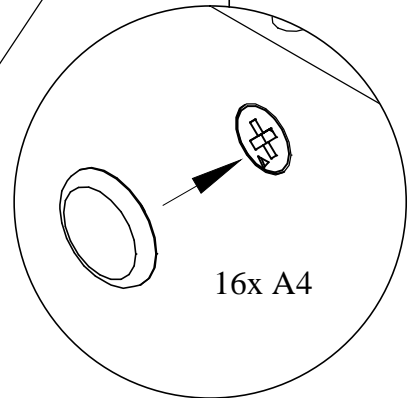
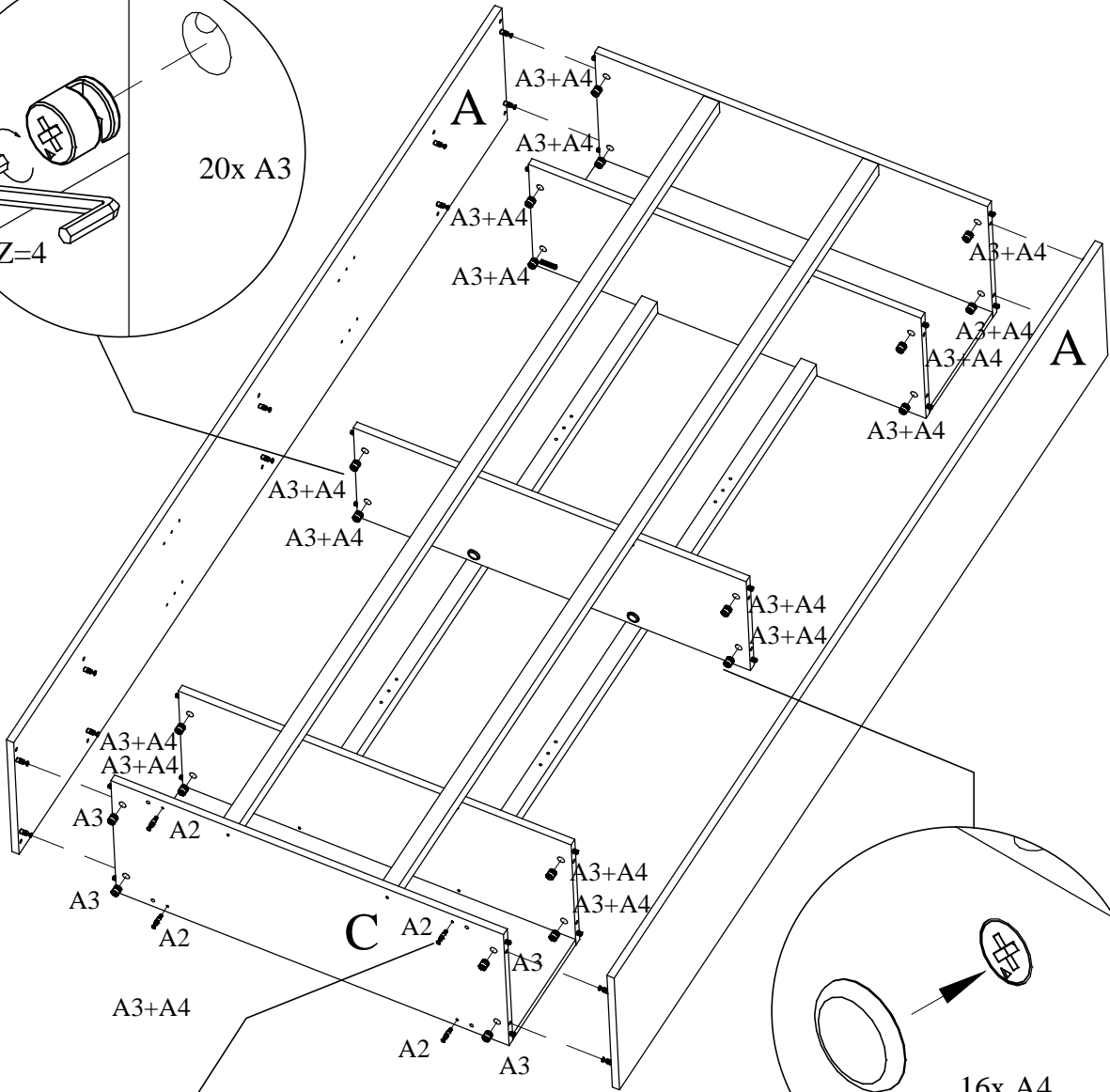
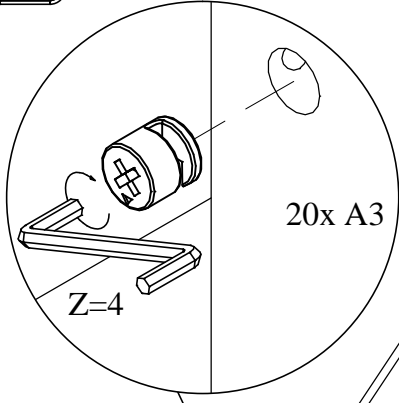
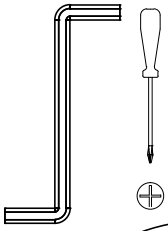
step 5



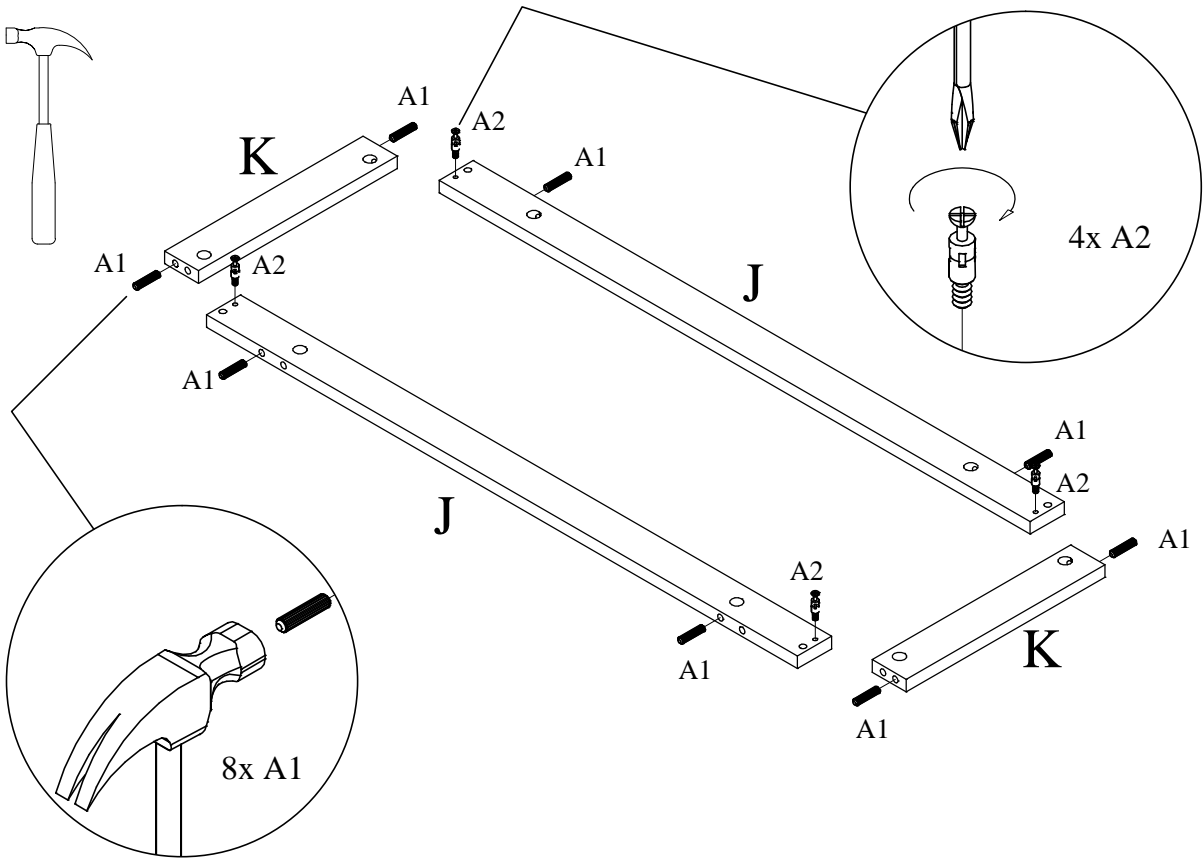
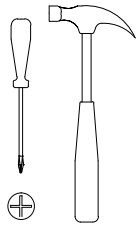
step 6



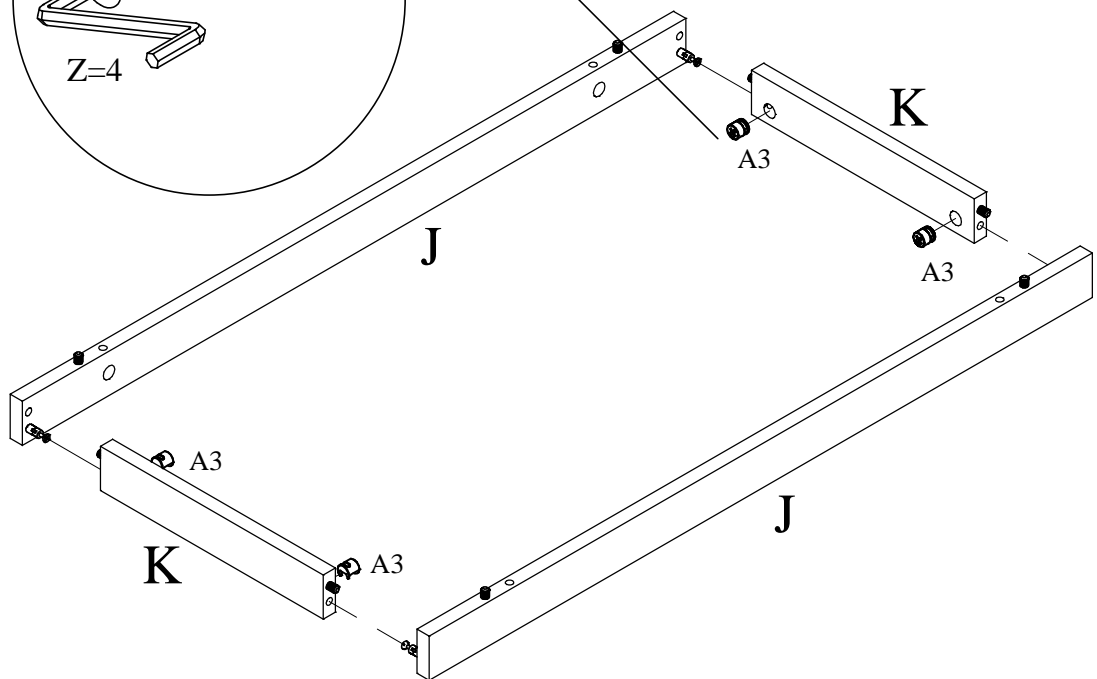
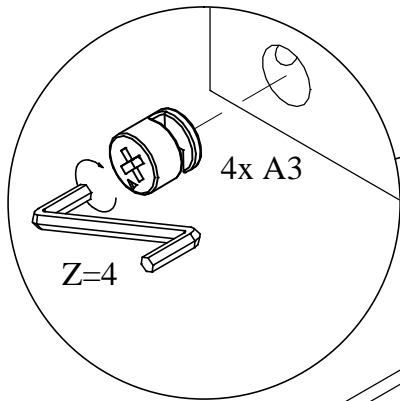
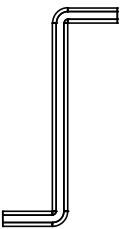
step 7



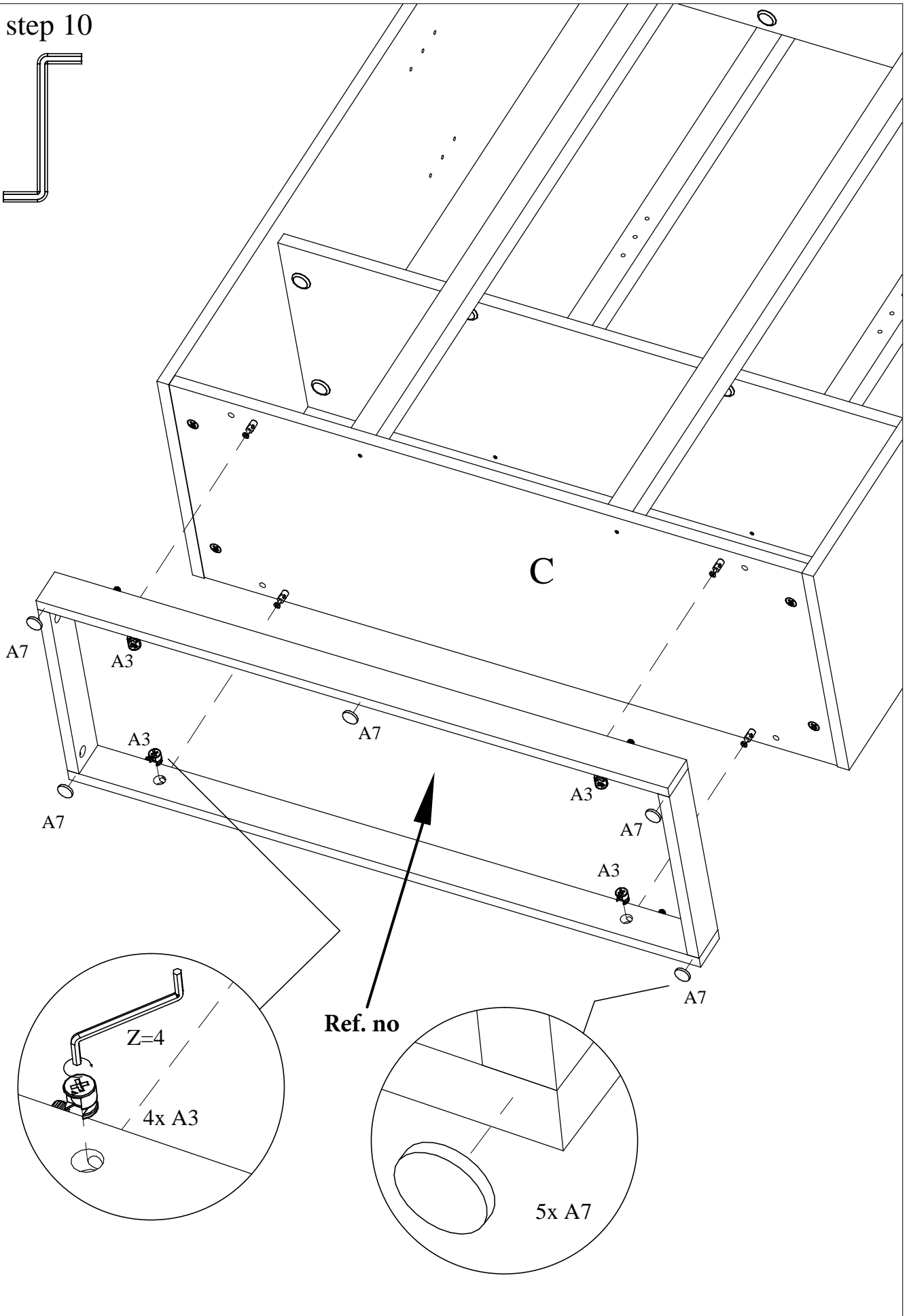
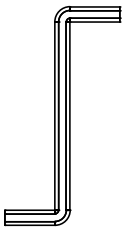
step 8



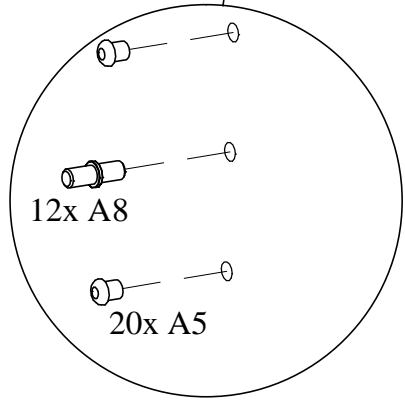
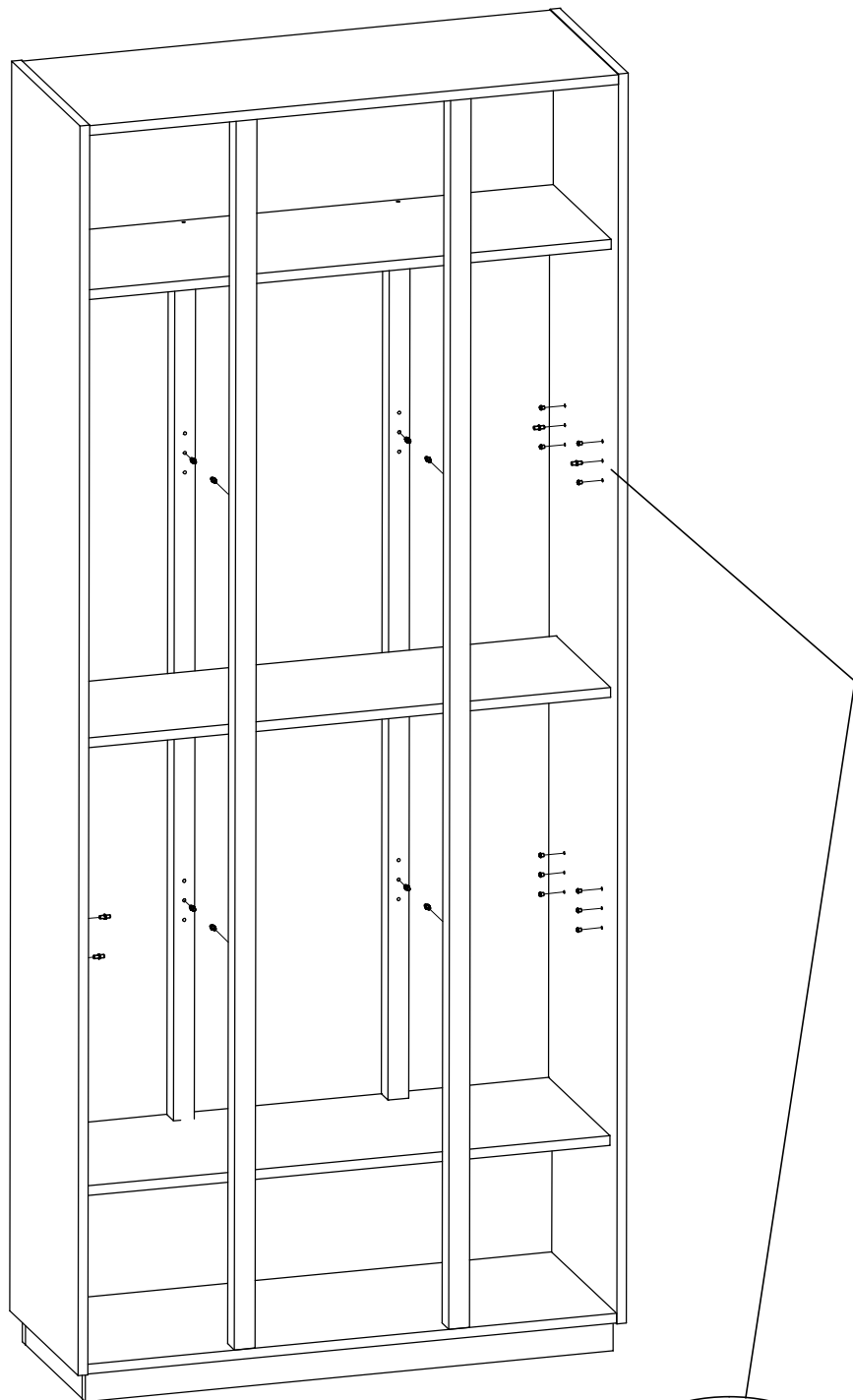
step 9



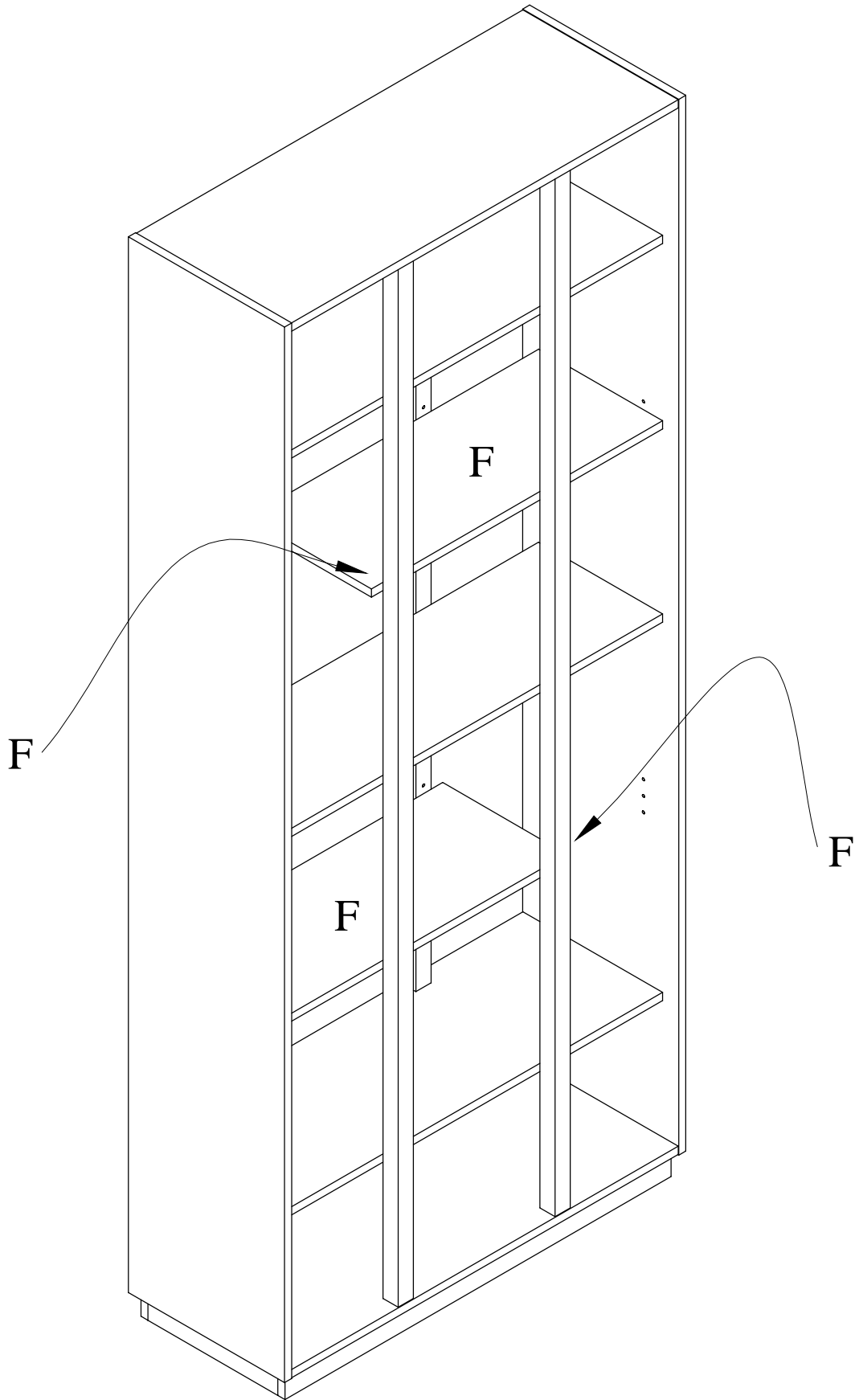
step 10



step 11

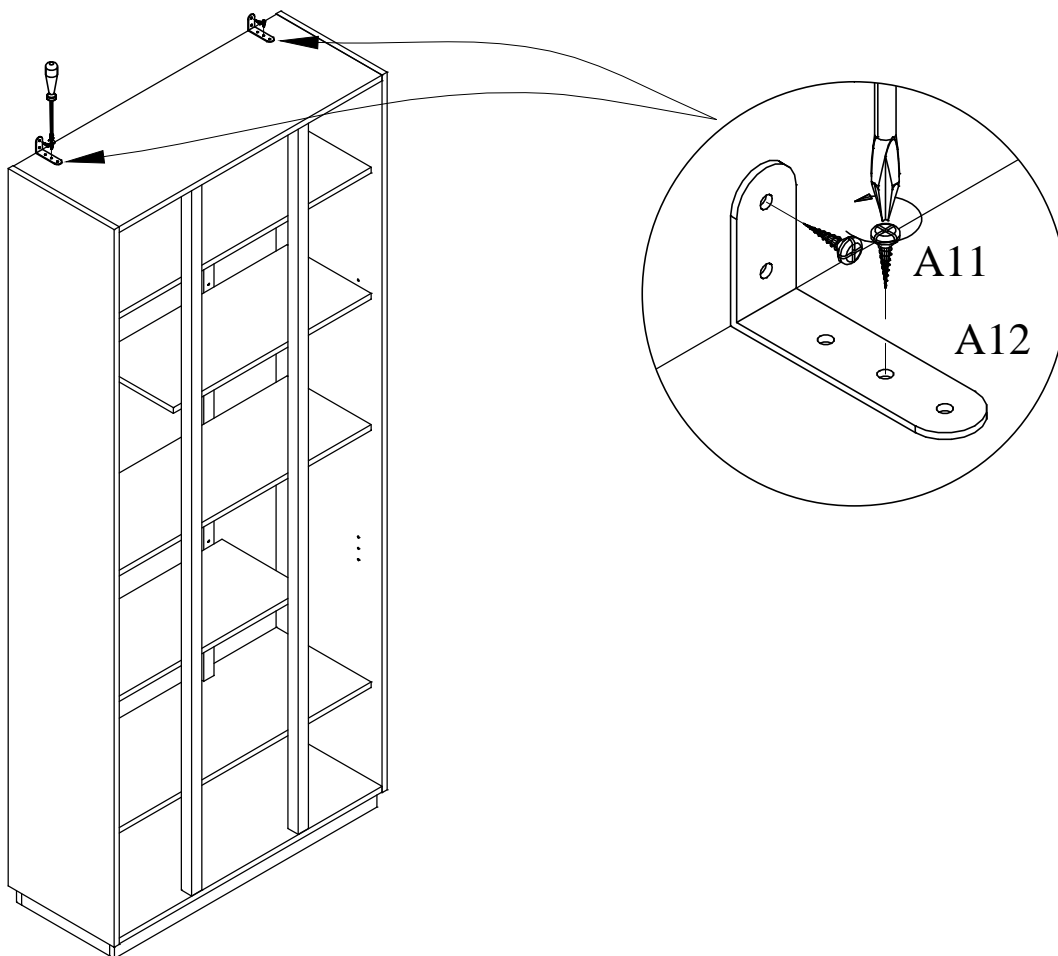


step 12

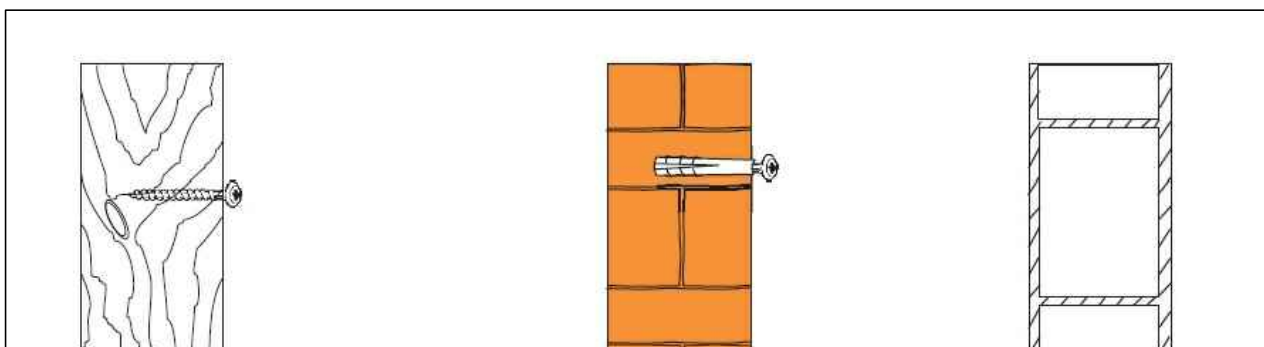


step 13

Wall fixing with bracket (If necessary)



Wall fixing - if in doubt seek professional advice



Wood

If fixing to wood make sure that it isn't chipboard as screws can easily pull away from the core structure

Brick or Masonry
Use an appropriate wall plug provided you are sure your wall is sound

Cavity wall
Special toggle wall plugs are needed. Seek expert advice



Safety and Care Advice

Important - Please read these instructions fully before starting assembly

Check you have all the components and tools.

Remove all fittings from the plastic bags and separate them into their groups.

Keep children and animals away from the work area, small parts could choke if swallowed.

Make sure you have enough space to layout the parts before starting.

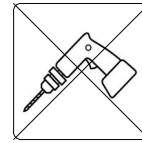
Do not stand or put weight on the product, this could cause damage.

Assemble the item as close to its final position (in the same room) as possible. Do not place furniture directly in front of radiators, fires or any other source of heat.



Parts of the assembly will be easier with 2 people.

Assemble on a soft level surface to avoid damaging the unit or your floor.



We do not recommend the use of power drill/drivers for inserting screws, as this could

damage the unit. Only use hand screwdrivers.

Dispose of all packaging carefully and responsibly.

General care and maintenance

Only clean using a damp cloth and mild detergent, do not use bleach or abrasive cleaners.

From time to time check that there are no loose screws and connectors on this unit.

This product should not be discarded with household waste. Take to your local authority waste disposal centre.

Cleaning and care of high gloss surfaces

Regular dusting with a dry cloth will keep your units clean.

Clean marks with a damp cloth.

Do not allow spillages to stay on the surface for long.

Do not clean with products containing the following: Acetone, (e.g. nail varnish remover). Ammonia (e.g. bleach). or Sodium hydroxide (e.g. Caustic soda, drain and oven cleaners).

Do not use abrasive cleaners.

To remove stubborn stains, wipe over with a damp cloth and washing up liquid.

In the event of accidental contact with aggressive cleaners, rinse thoroughly with water.

Use place mats to protect the surface from moisture and heat.

Maximum weight limit

