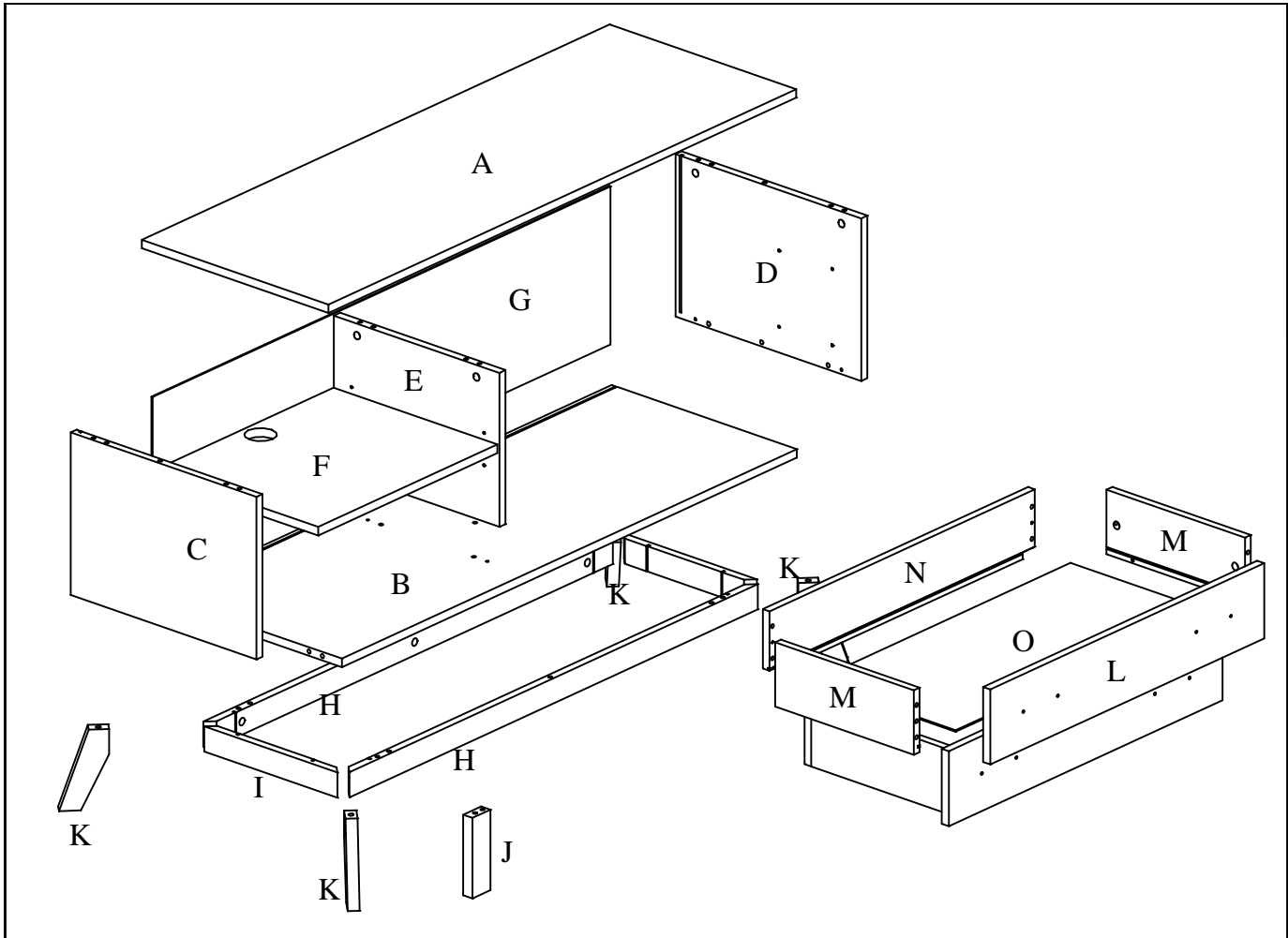


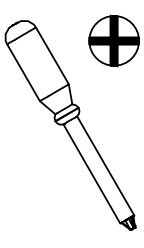
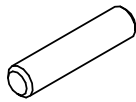
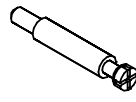

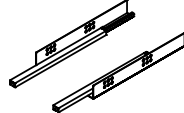
Reference no:

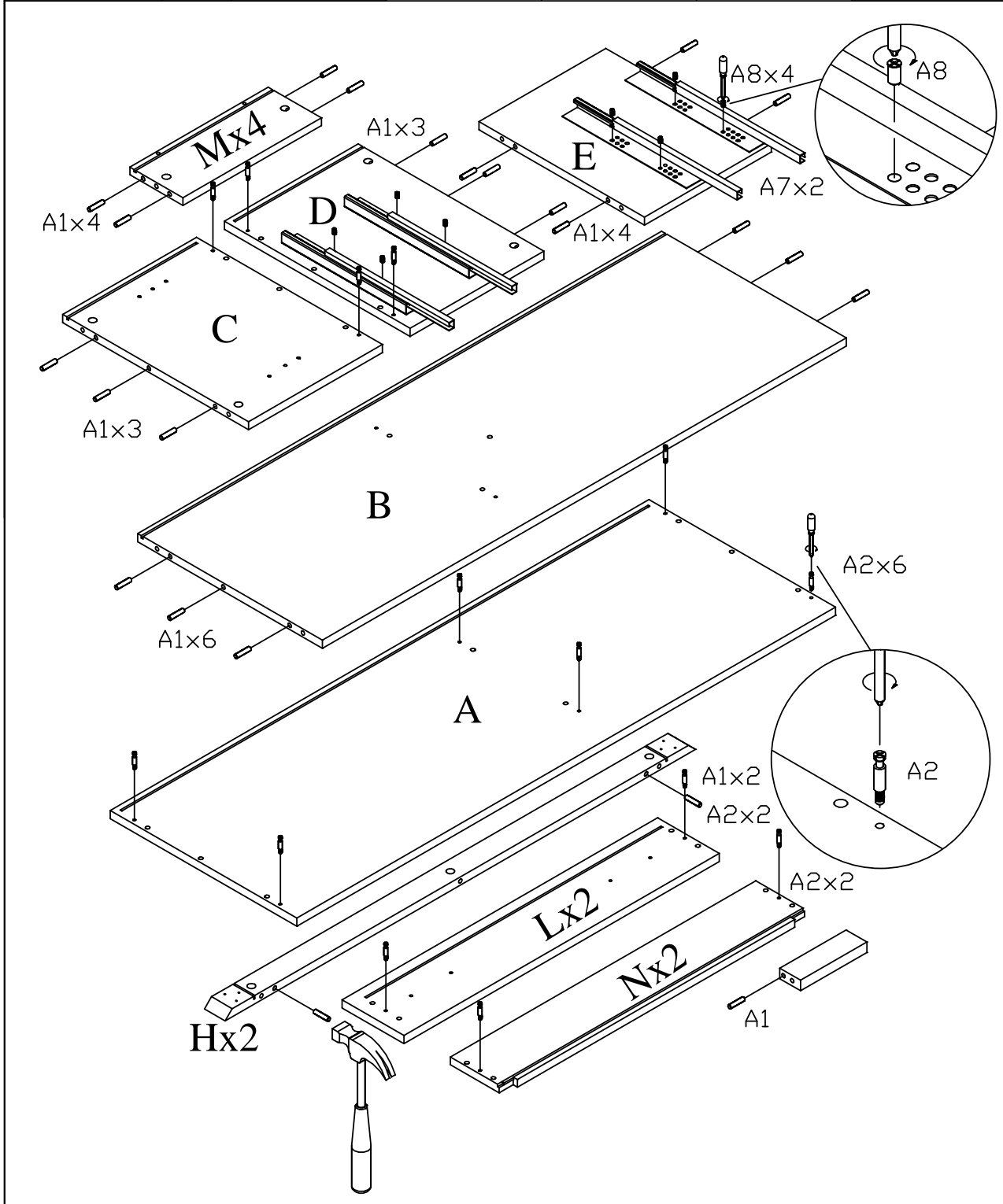
Designed by

Leonhard Pfeifer



			A1	A2	A3	A4
			 $\varnothing 8 \times 35$ QTY x37	 $\varnothing 7 \times 24$ QTY x24	 $\varnothing 15 \times 11.5$ QTY x24	 $\varnothing 17$ QTY x12
	A5	A6	A7	A8	A9	A10
	 20mm QTY x5	 4mm/3mm QTY x1/x1	 L360 QTY x2	 $\varnothing 6,3 \times 11,5$ QTY x8	 $\varnothing 5$ QTY x4	 140x20x15 ($\varnothing 3,5 \times 30$) QTY x4(x8)
	A11	A12	A13	A14	A15	A16
	 $\varnothing 60$ QTY x1	 $\varnothing 3,5 \times 16$ QTY x24	 95x40x1,5 QTY x4	 $\varnothing 7 \times 50 /$ $M6 \times 30$ QTY x1/x4	 $\varnothing 5 \times 50$ QTY x2	 ($\varnothing 3 \times 20$) QTY x8

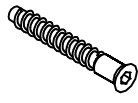
Step 1	A1	A2	A8	A7	
					
	∅8x35	∅7x24	∅6,3x11,5	L360	
QTY	x37	x24	x8	x2	



ENG - In case of any quality issues, contact your local dealer and always mention item reference No.
 FR - En cas de problèmes de qualité, contactez votre revendeur local et mentionnez toujours la référence de l'article.
 IT - In caso di eventuali problemi di qualità, contattare il rivenditore locale e citare sempre punto di riferimento No.
 ES - En caso de problemas de calidad, póngase en contacto con su distribuidor local y mencione siempre la referencia del artículo.
 DE - Wenn Sie Qualitätsprobleme haben wenden Sie sich bitte an ihren örtlichen Händler und erwähnen Sie immer die Artikelnummer.

Step 2

A15

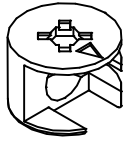


∅5x50

QTY

x2

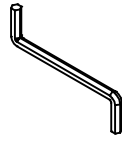
A3



∅15x11,5

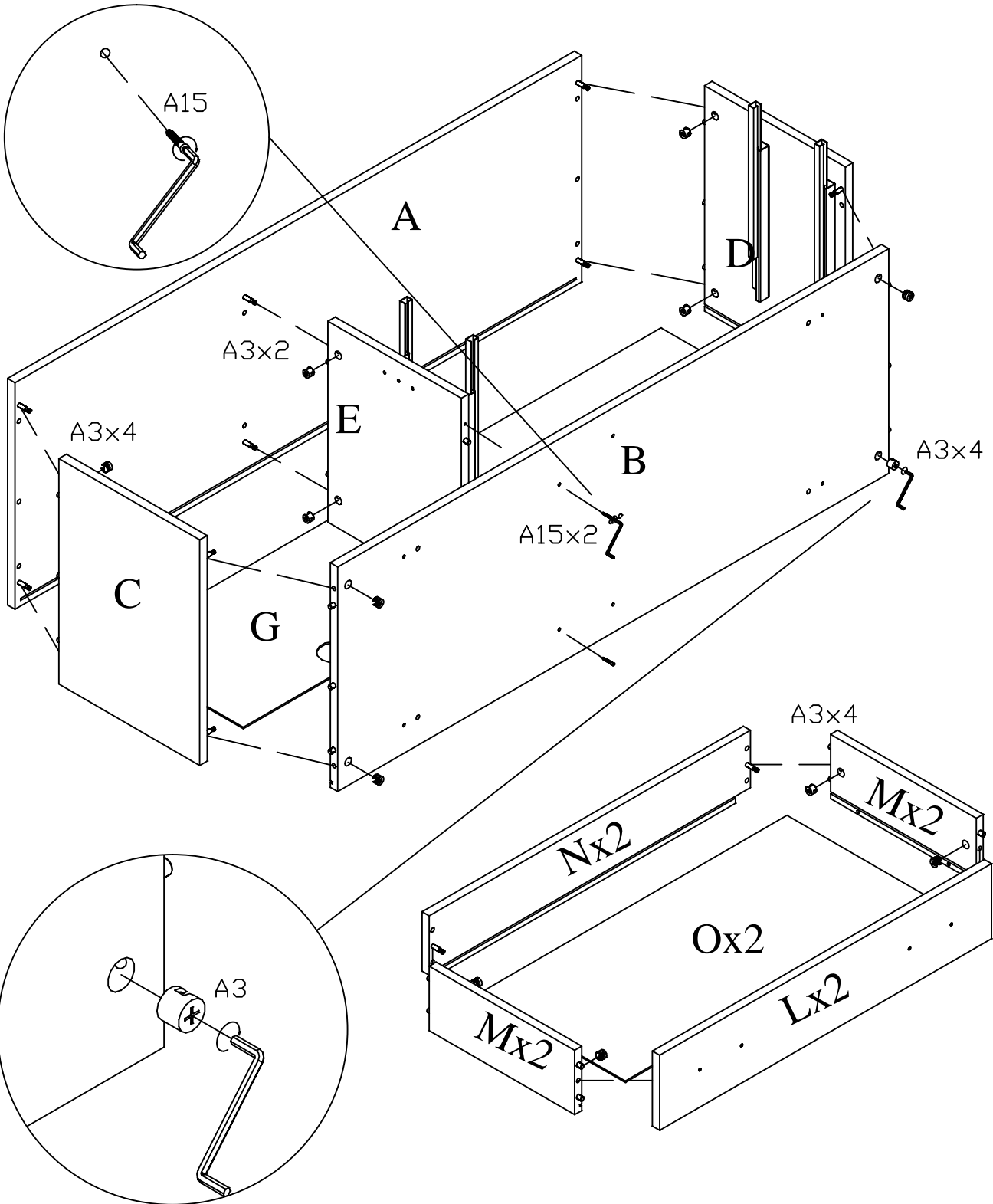
x18

A6

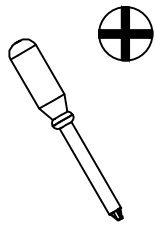


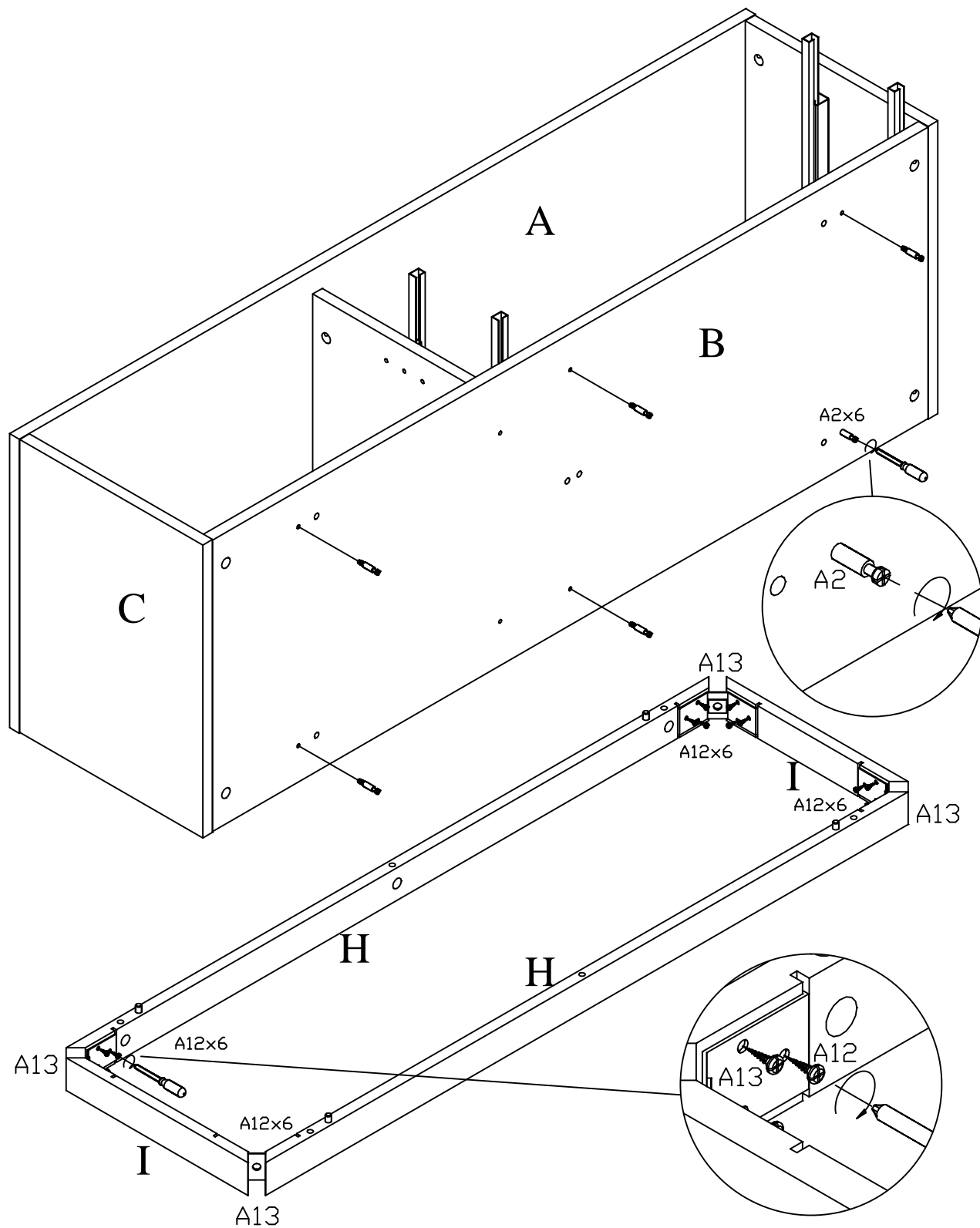
4mm/3mm

x1/x1



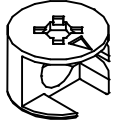
Step 3

	A2	A13	A12	
QTY	x6	x4	x24	



Step 4

A3

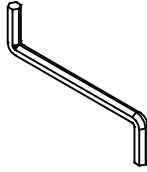


Ø15x11.5

QTY

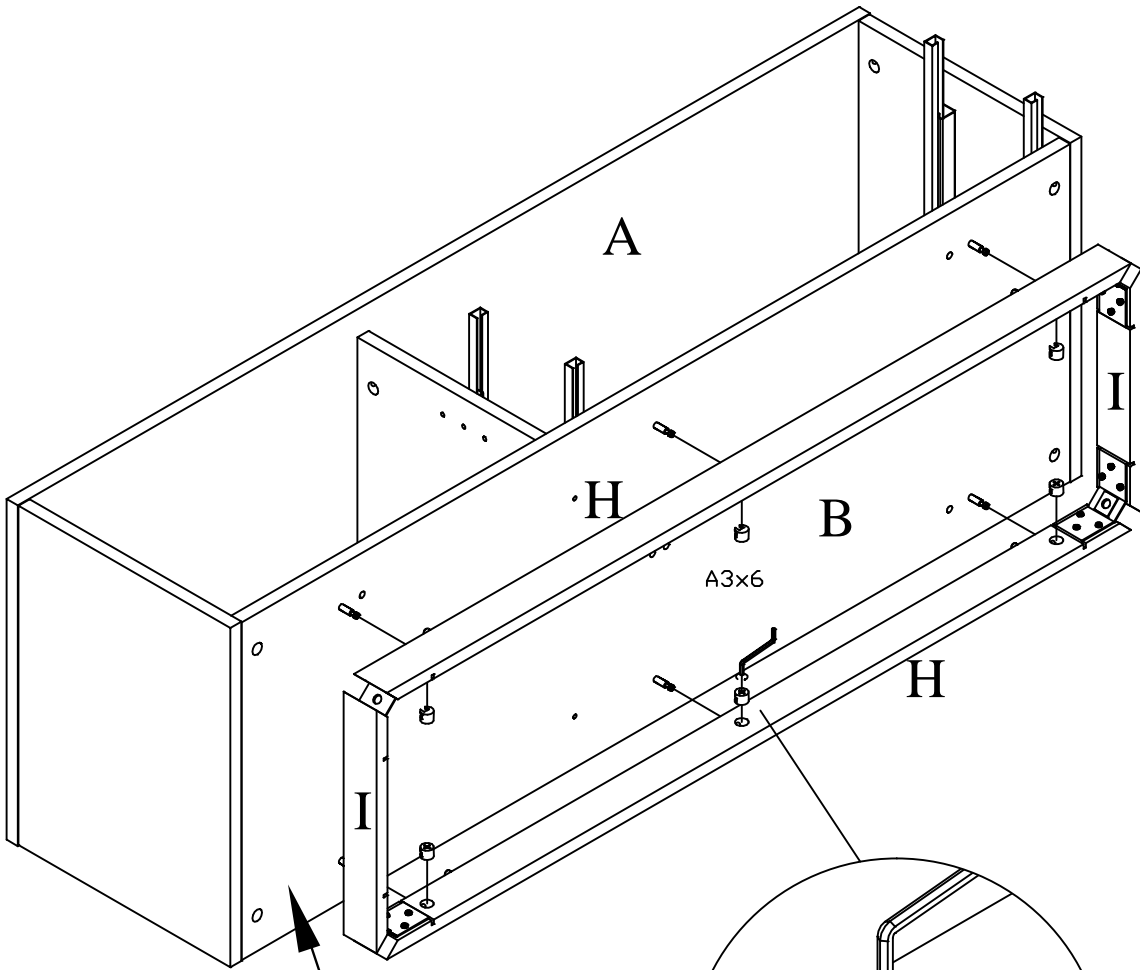
x6

A6



4mm

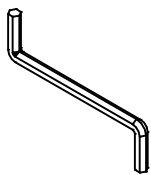
x1



Ref. no

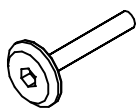
Step 5

A6



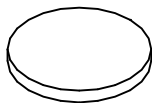
4mm

A14



∅7x50/
M6x30

A5



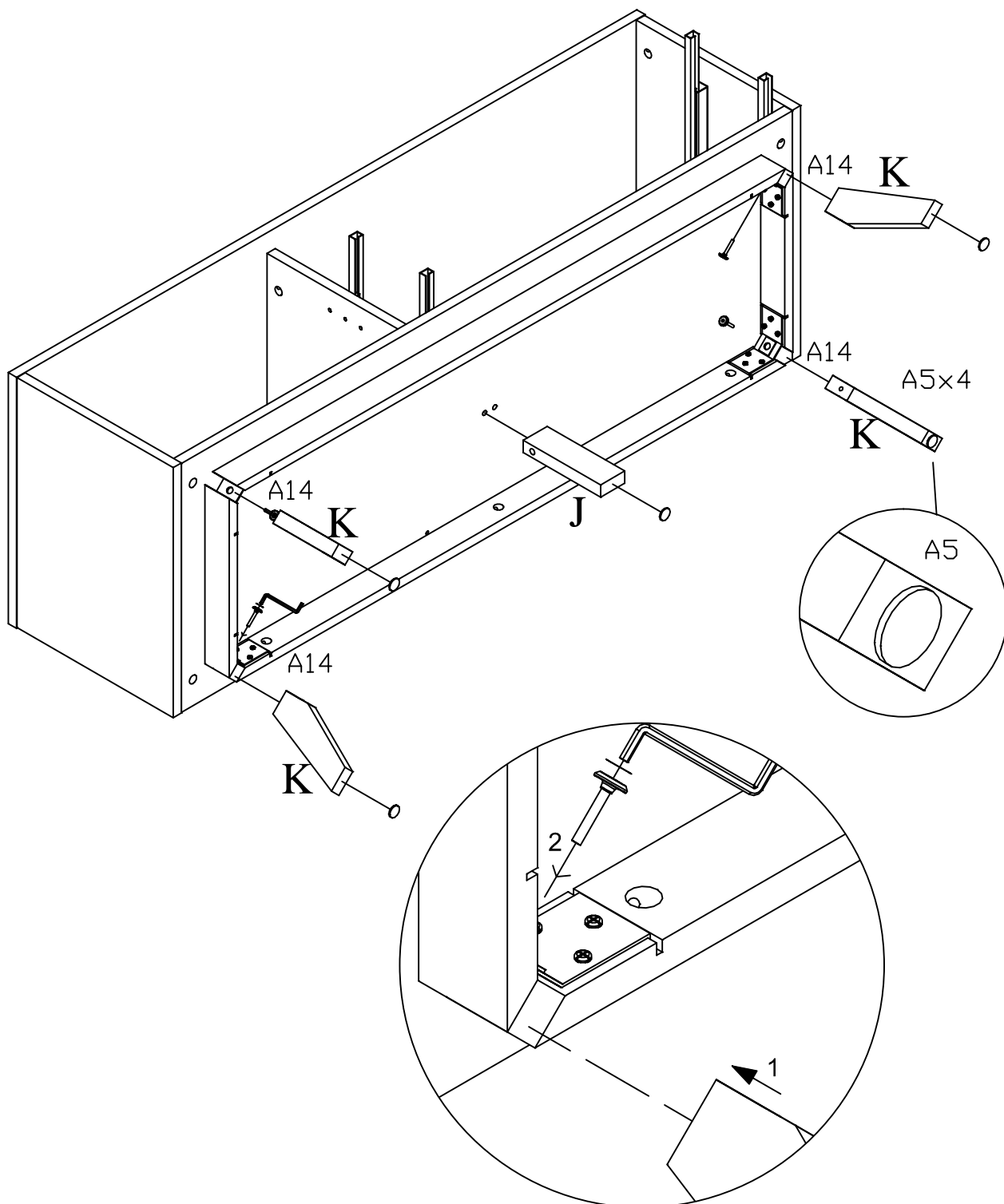
20mm

QTY

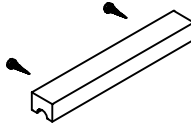
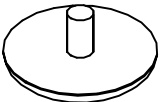

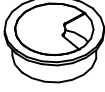
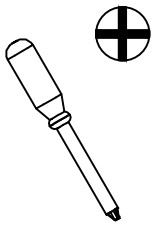
x1

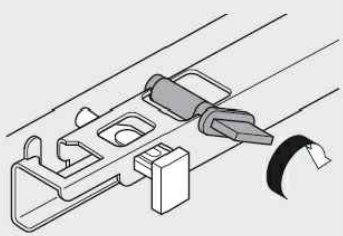
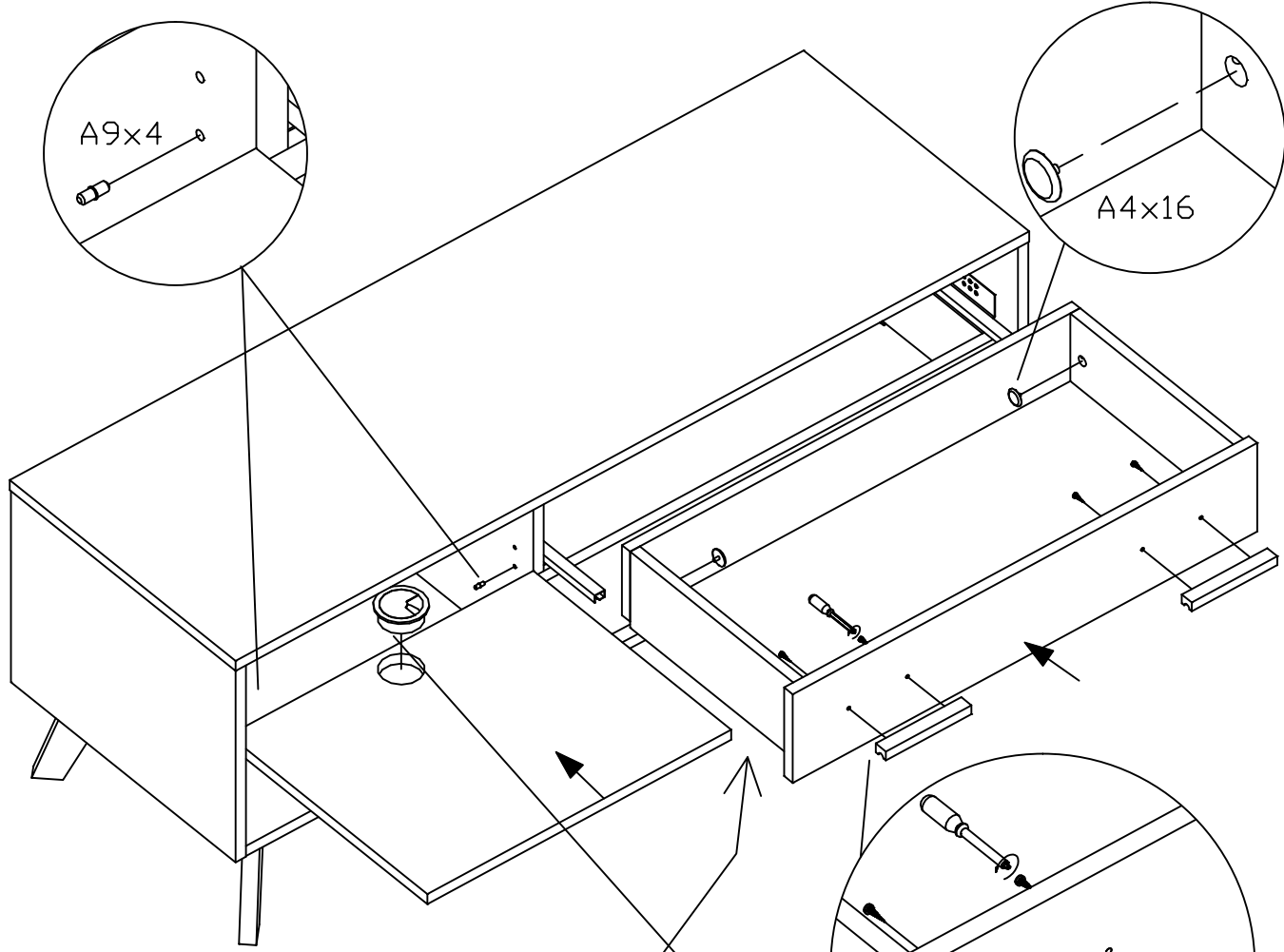
x1/x4

x5

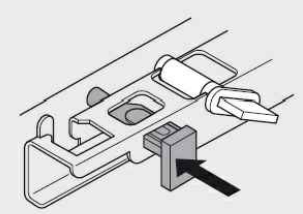


Step 6

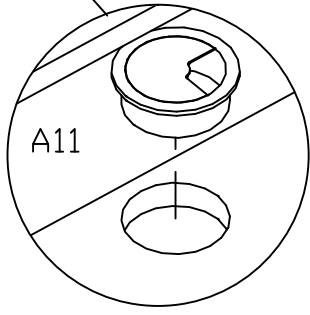
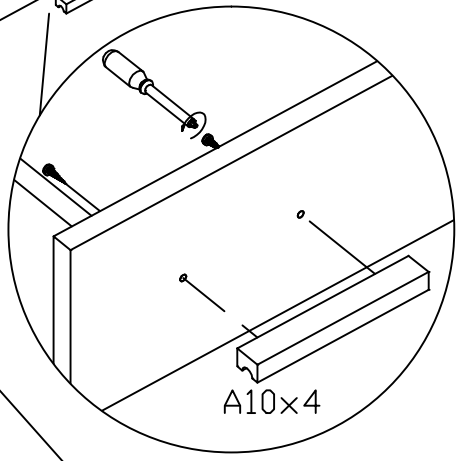
	 <p>A10</p> <p>140/20x15 (Ø3,5x35)</p>	 <p>A4</p> <p>Ø17</p>	 <p>A9</p> <p>Ø5</p>	 <p>A11</p> <p>Ø60</p>	
QTY	x4(x8)	x12	x4	x1	



Height adjustment
 It's possible to make height adjustments of up to +2.5 mm. This tool-free feature produces uniformed gap alignment.

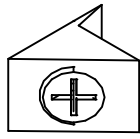


Lift-off stop
 The lift-off stop prevents drawers and pull-outs from accidentally lifting off the runner. If required, the lift-off stop can be released by pulling a lever.

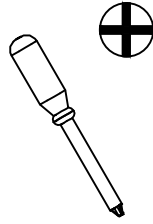


Step 7

A16

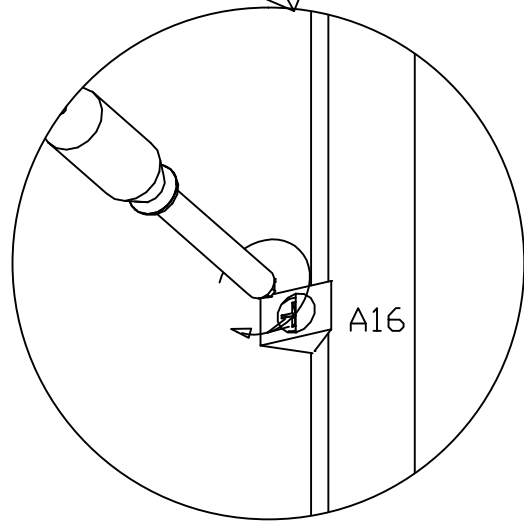
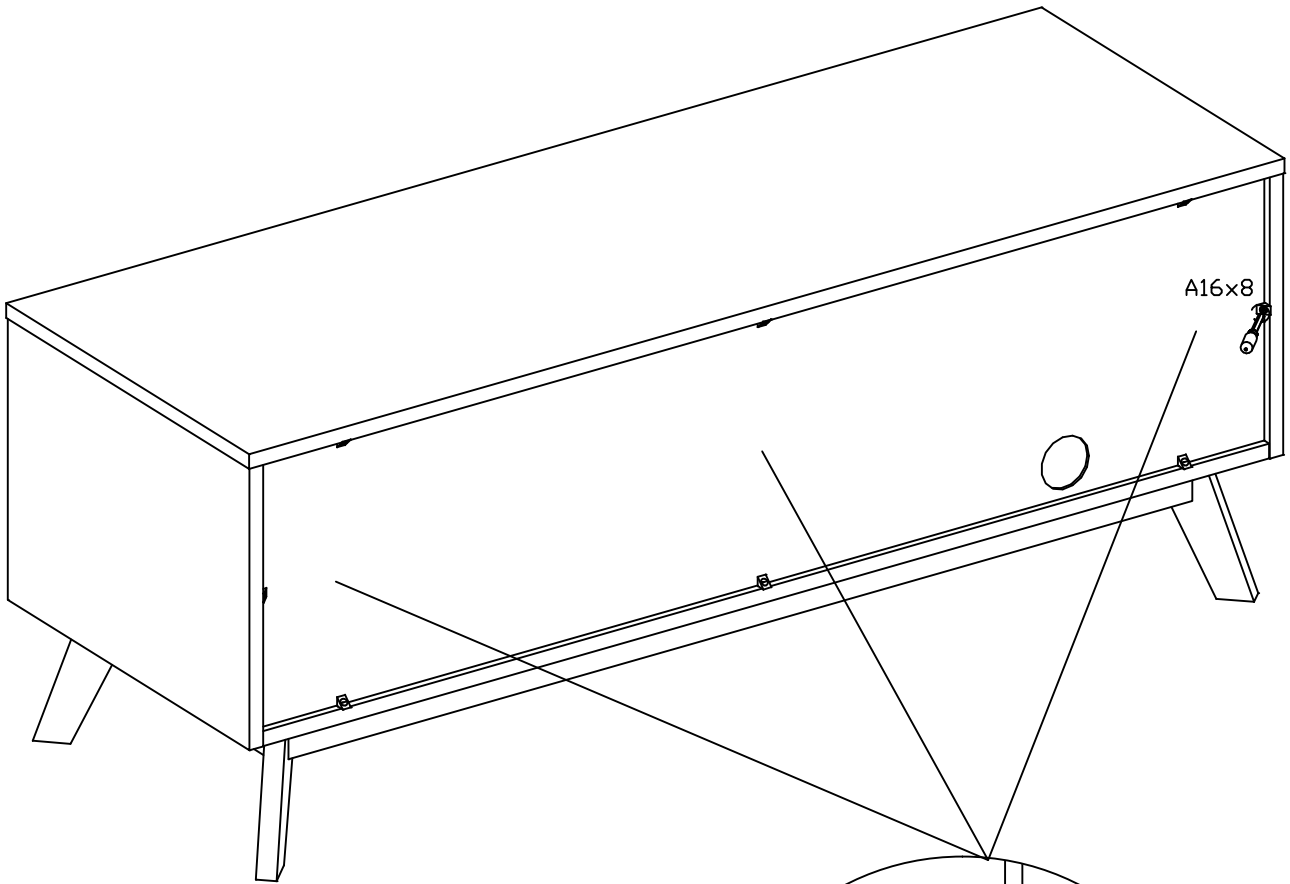


(\varnothing 3x20)



QTY

x8





Safety and Care Advice

Important - Please read these instructions fully before starting assembly

Check you have all the components and tools.

Remove all fittings from the plastic bags and separate them into their groups.

Keep children and animals away from the work area, small parts could choke if swallowed.

Make sure you have enough space to layout the parts before starting.

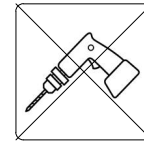
Do not stand or put weight on the product, this could cause damage.

Assemble the item as close to its final position (in the same room) as possible. Do not place furniture directly in front of radiators, fires or any other source of heat.



Parts of the assembly will be easier with 2 people.

Assemble on a soft level surface to avoid damaging the unit or your floor.



We do not recommend the use of power drill/drivers for inserting screws, as this could

damage the unit. Only use hand screwdrivers.

Dispose of all packaging carefully and responsibly.

General care and maintenance

Only clean using a damp cloth and mild detergent, do not use bleach or abrasive cleaners.

From time to time check that there are no loose screws and connectors on this unit.

This product should not be discarded with household waste. Take to your local authority waste disposal centre.

Cleaning and care of high gloss surfaces

Regular dusting with a dry cloth will keep your units clean.

Clean marks with a damp cloth.

Do not allow spillages to stay on the surface for long.

Do not clean with products containing the following: Acetone, (e.g. nail varnish remover). Ammonia (e.g. bleach). or Sodium hydroxide (e.g. Caustic soda, drain and oven cleaners).

Do not use abrasive cleaners.

To remove stubborn stains, wipe over with a damp cloth and washing up liquid.

In the event of accidental contact with aggressive cleaners, rinse thoroughly with water.

Use place mats to protect the surface from moisture and heat.

Maximum weight limit

