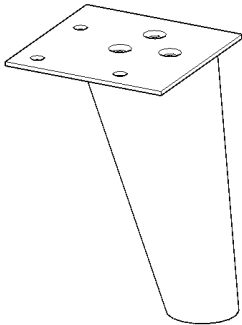
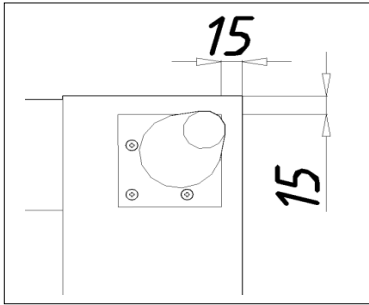
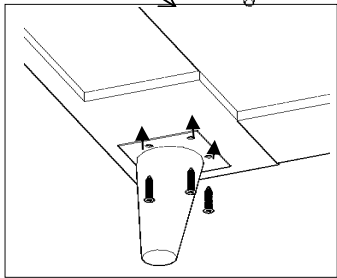
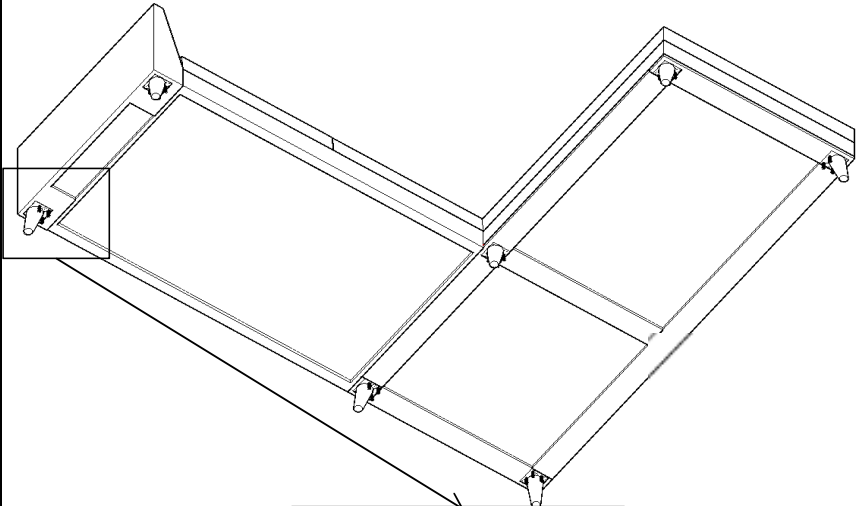
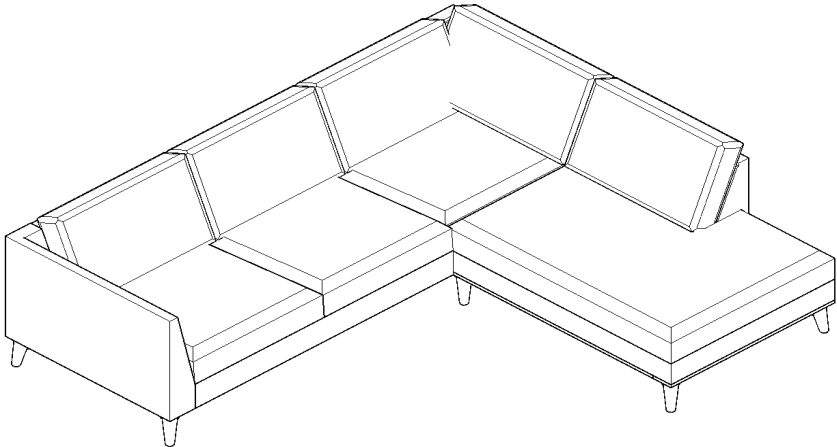


Open corner / assembly instruction



Leg x7



(5x30) x21

